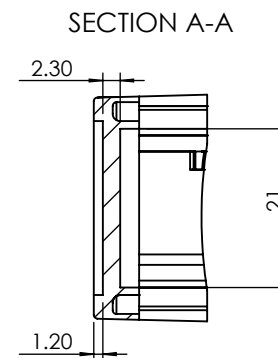
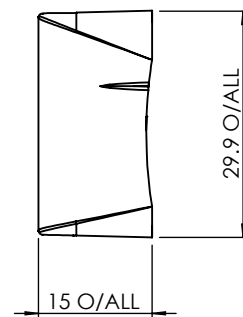
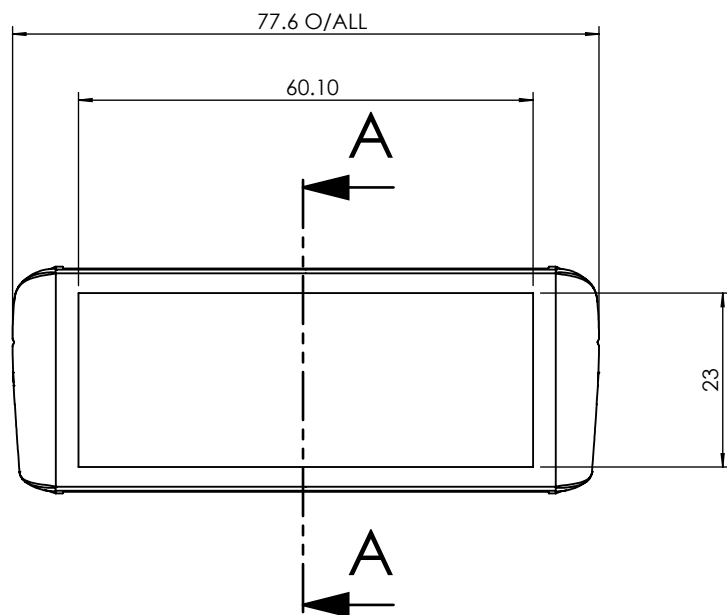




ISO VIEW
1:1



 CAMDENBOSS JAMES CARTER RD, MILDENHALL, SUFFOLK. IP28 7DE TEL: 01638 716101 FAX: 01638 716554 EMAIL: Sales@CamdenBoss.com WEB: www.CamdenBoss.com				UNLESS OTHERWISE SPECIFIED: DIMENSIONS ARE IN MILLIMETERS		DO NOT SCALE DRAWING		REVISION. <input type="checkbox"/>			
				GENERAL TOLERANCES +/- 0.2		TITLE: 64 SERIES END CAP SIZE 2, ORANGE					
DRAWN		NAME	SIGNED	DATE	FINISH. FINE TEXTURE		MATERIAL. UL94 - V0 ABS		DWG NO. CHH64E2OR		A4
CHK'D		-	-	-	PROJECTION. 		SCALE. 1:1		SHEET 1 OF 1		