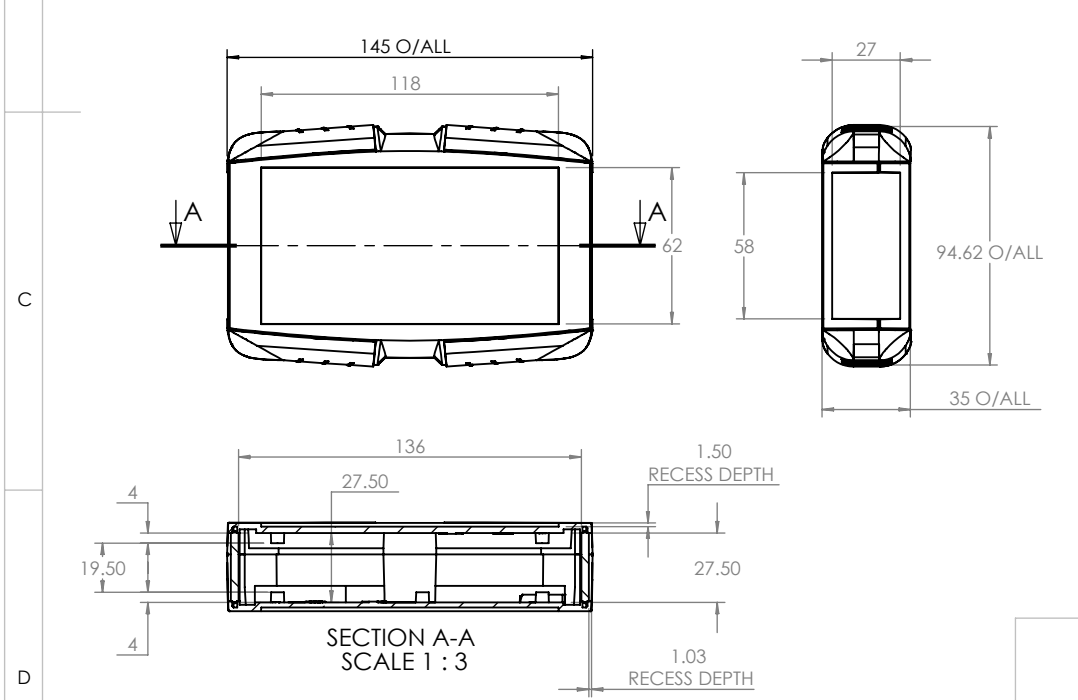
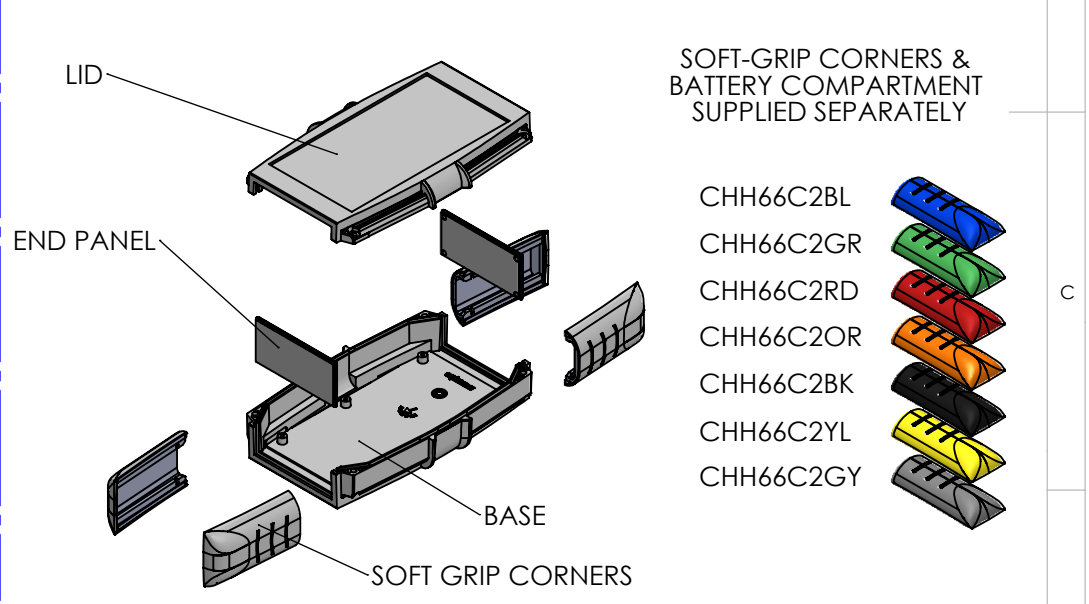


LID

BASE



SECTION A-A
SCALE 1 : 3



| | | | | |
|---|------------|--|--|--------------|
| <p>CAMDENBOSS JAMES CARTER RD, MILDENHALL, SUFFOLK. IP28 7DE TEL: 01638 716101 FAX: 01638 716554 EMAIL: Sales@CamdenBoss.com WEB: www.CamdenBoss.com</p> | | UNLESS OTHERWISE SPECIFIED: DIMENSIONS ARE IN MILLIMETERS | DO NOT SCALE DRAWING | REVISION. 0 |
| | | GENERAL TOLERANCES +/- 0.2 | TITLE: GNL ASSEMBLY DRG FOR 66 SERIES | |
| | | FINISH. LIGHT SPARK | | |
| | | MATERIAL. UL94-V0 ABS BLACK | DWG NO. CHH662NBK | A4 |
| DRAWN | IAN PAGANO | SIGNED | I.P. | DATE |
| CHKD | - | - | - | 11/01/13 |
| | | PROJECTION. | SCALE. | |
| | | | | SHEET 1 OF 1 |