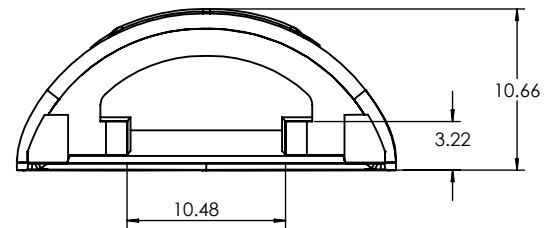
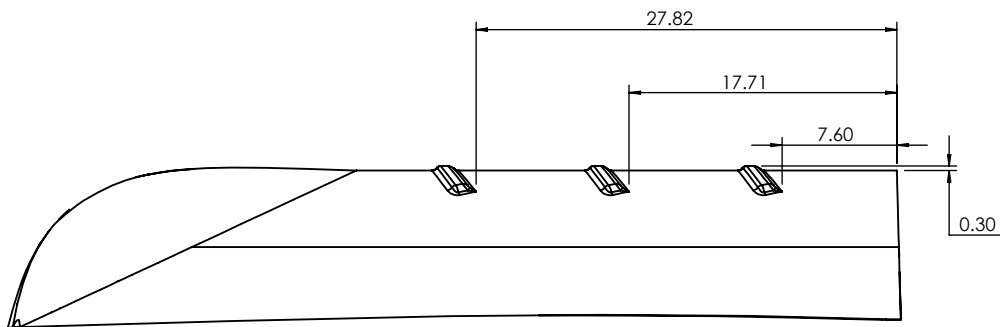




ISO VIEW  
1:1



 <b>CAMDENBOSS</b> JAMES CARTER RD, MILDENHALL, SUFFOLK. IP28 7DE TEL: 01638 716101 FAX: 01638 716554 EMAIL: Sales@CamdenBoss.com WEB: www.CamdenBoss.com				UNLESS OTHERWISE SPECIFIED: DIMENSIONS ARE IN MILLIMETERS		DO NOT SCALE DRAWING		REVISION. <input type="radio"/>			
				GENERAL TOLERANCES +/- 0.2		TITLE: <b>GENERAL DIMENSION DRAWING FOR CHH66C1BL</b>					
DRAWN		NAME		SIGNED		DATE		MATERIAL.		DWG NO.	
IAN PAGANO		I.P.		08/08/13		VAR		CHH66C1BL		A4	
CHKD		-		-		-		PROJECTION. 		SCALE: 2:1	
								SHEET 1 OF 1			