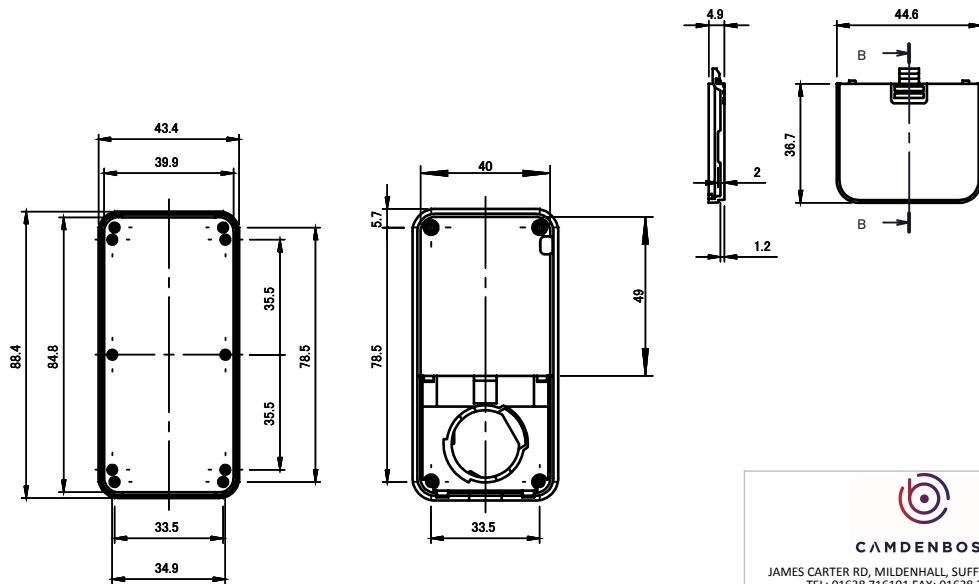
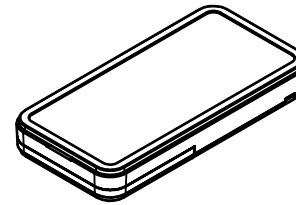




ISO VIEW
3:7



 CAMDENBOSS JAMES CARTER RD, MILDENHALL, SUFFOLK. IP28 7DE TEL: 01638 716101 FAX: 01638 716554 EMAIL: Sales@CamdenBoss.com WEB: www.CamdenBoss.com		UNLESS OTHERWISE SPECIFIED: DIMENSIONS ARE IN MILLIMETERS		DO NOT SCALE DRAWING	REVISION. <input type="checkbox"/>		
		GENERAL TOLERANCES +/- 0.2		TITLE: 80 SERIES SLIM PLASTIC ENCLOSURE, WHITE, 90x45x12			
DRAWN		NAME	SIGNED	DATE	MATERIAL.	DWG NO.	CHH802BWH A4
LEWIS LETCHFORD	LL	09/01/14	ABS UL94-HB	PROJECTION. 	SCALE: 3:7	SHEET 1 OF 1	
CHK'D	-	-	-	-			