

1 2 3 4 5 6

A

B

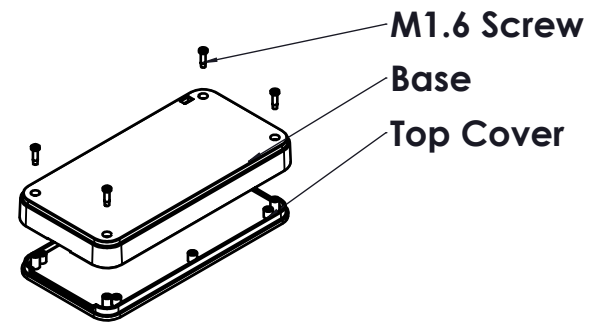
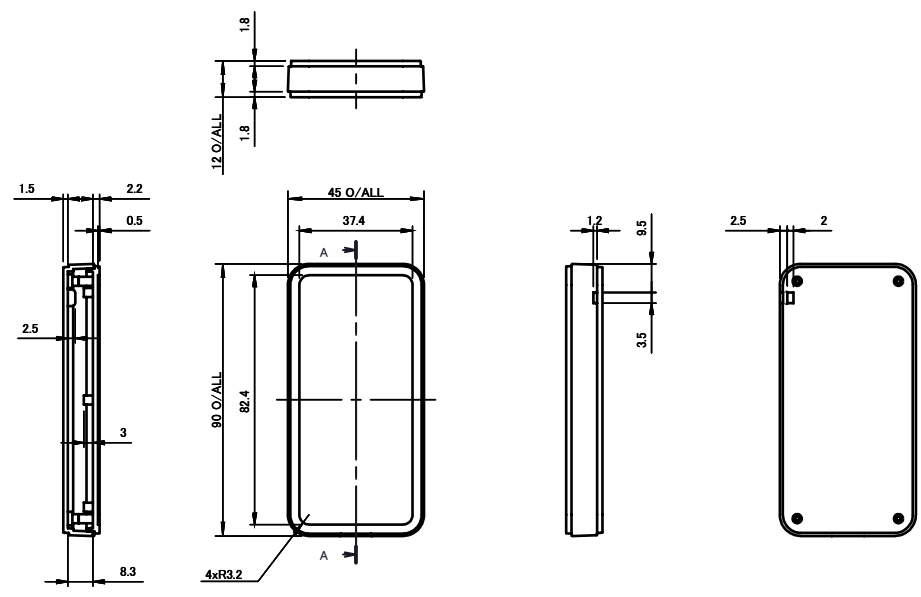
C

D

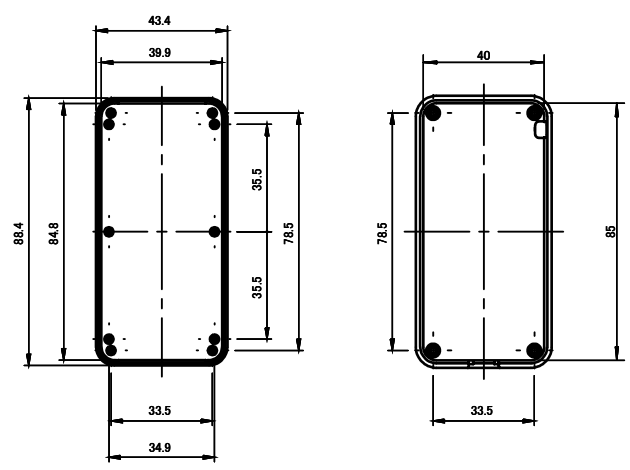
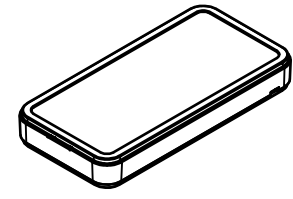
A



B

C



ISO VIEW
2:5



 CAMDENBOSS JAMES CARTER RD, MILDENHALL, SUFFOLK. IP28 7DE TEL: 01638 716101 FAX: 01638 716554 EMAIL: Sales@CamdenBoss.com WEB: www.CamdenBoss.com		UNLESS OTHERWISE SPECIFIED: DIMENSIONS ARE IN MILLIMETERS		DO NOT SCALE DRAWING		REVISION. ○		
		GENERAL TOLERANCES +/- 0.2		TITLE: 80 SERIES SLIM PLASTIC ENCLOSURE, WHITE, 90x45x12				
		FINISH. FINE TEXTURE		DWG NO. CHH802NWH		A4		
DRAWN	LEWIS LETCHFORD	SIGNED	LL	DATE	29/01/2014	MATERIAL. ABS UL94-HB		
CHK'D	-	-	-	-	-	PROJECTION. 	SCALE. 2:5	SHEET 1 OF 1

1 2 3 4 5 6