

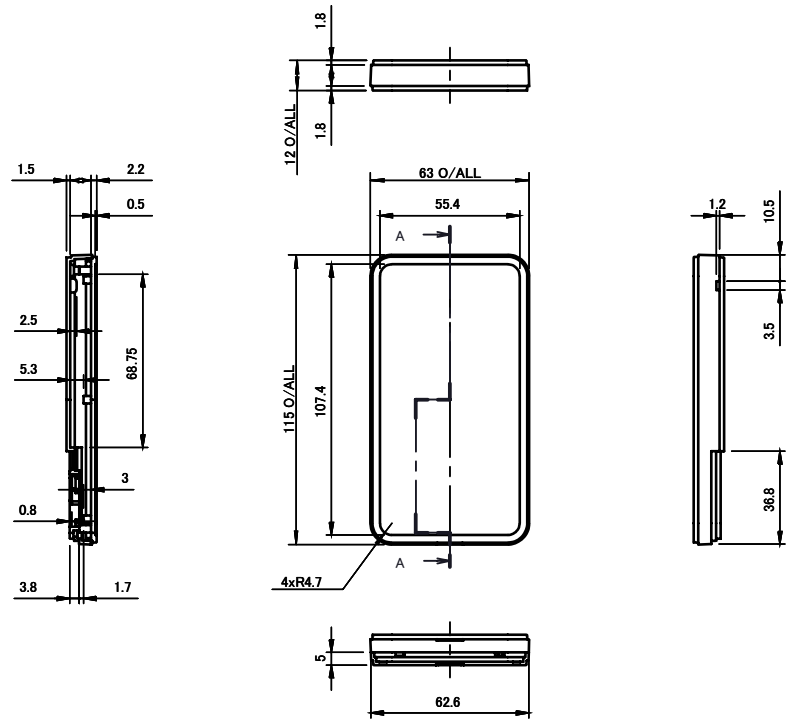
1 2 3 4 5 6

A

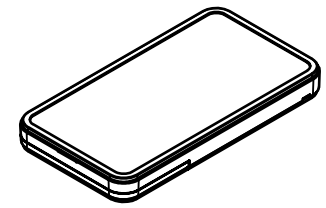
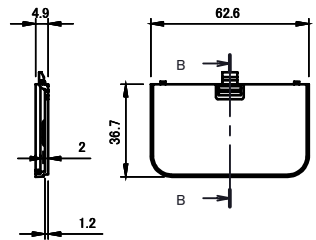
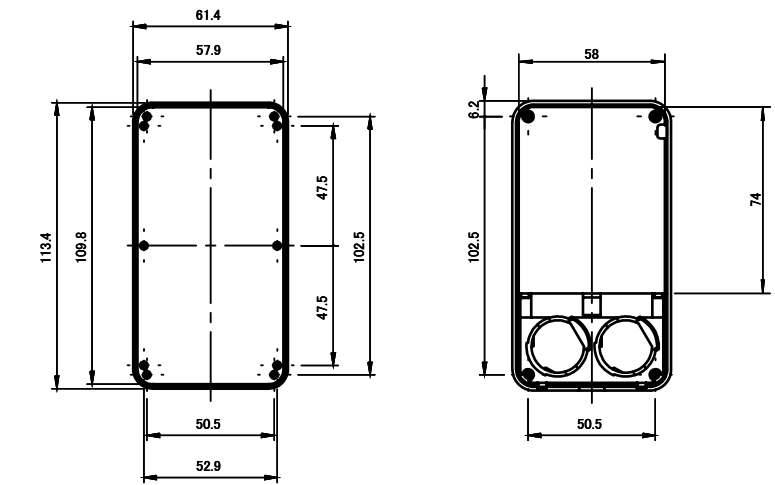
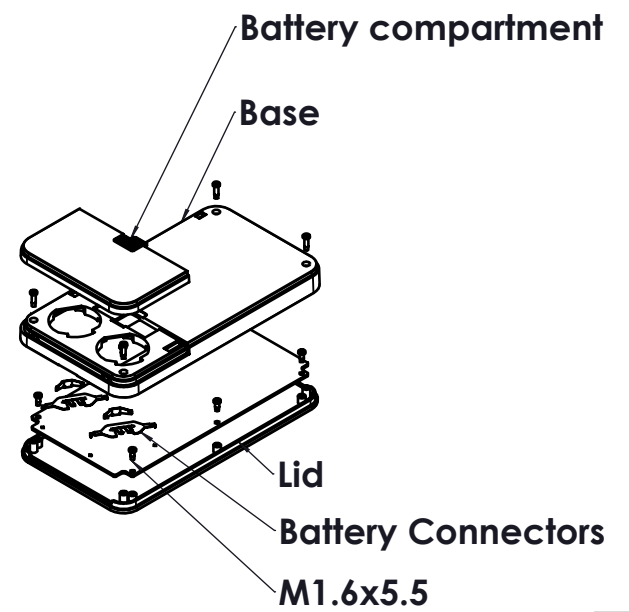
B


C

D



ISO VIEW  
1:3



 <b>CAMDENBOSS</b> JAMES CARTER RD, MILDENHALL, SUFFOLK. IP28 7DE TEL: 01638 716101 FAX: 01638 716554 EMAIL: Sales@CamdenBoss.com WEB: www.CamdenBoss.com		UNLESS OTHERWISE SPECIFIED: DIMENSIONS ARE IN MILLIMETERS		DO NOT SCALE DRAWING		REVISION. <input type="checkbox"/>	
		GENERAL TOLERANCES +/- 0.2		TITLE: <b>80 SERIES SLIM PLASTIC ENCLOSURE, WHITE, 115x63x12</b>			
DRAWN		NAME		MATERIAL.		DWG NO.	
LEWIS LETCHFORD		L.L.		ABS UL94-HB		CHH803BWH	
CHK'D		SIGNED		PROJECTION.		SCALE: 1:3	
-		-		-		SHEET 1 OF 1	
		DATE		DATE		A4	
		29/01/2014					