

1 2 3 4 5 6

A

A

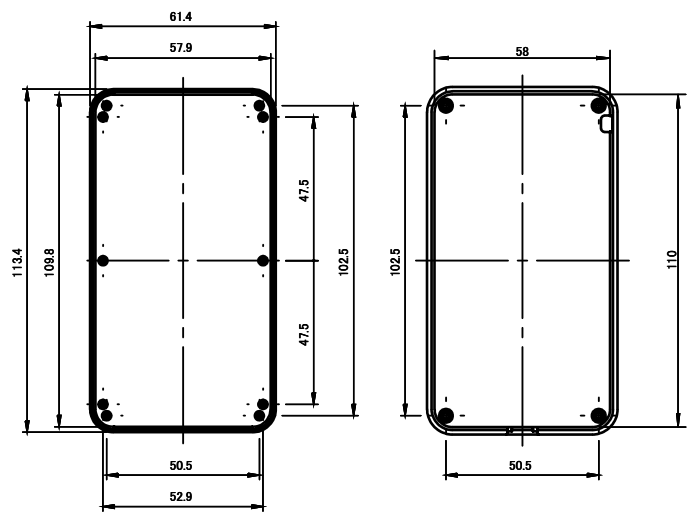
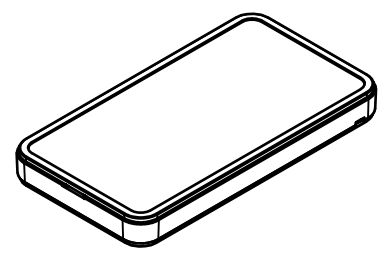
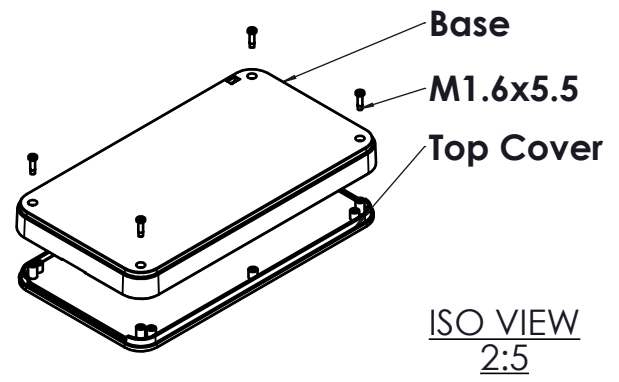
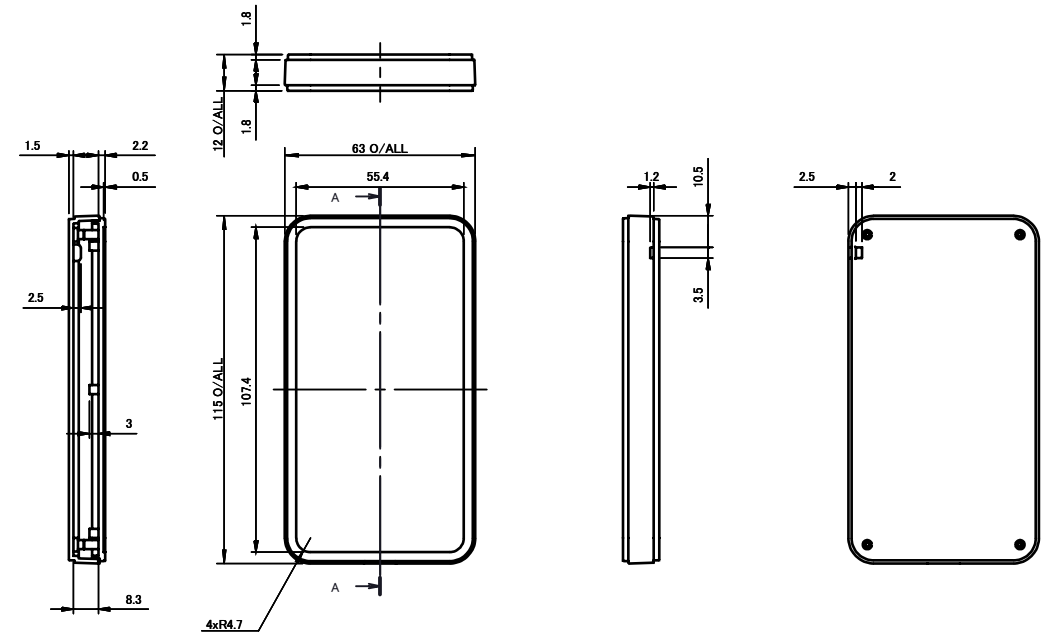
B



B

C

C

D



 CAMDENBOSS JAMES CARTER RD, MILDENHALL, SUFFOLK. IP28 7DE TEL: 01638 716101 FAX: 01638 716554 EMAIL: Sales@CamdenBoss.com WEB: www.CamdenBoss.com		UNLESS OTHERWISE SPECIFIED: DIMENSIONS ARE IN MILLIMETERS		DO NOT SCALE DRAWING	REVISION. <input type="checkbox"/>
		GENERAL TOLERANCES +/- 0.2		TITLE: 80 SERIES SLIM PLASTIC ENCLOSURE, WHITE, 115x63x12	
		FINISH. FINE TEXTURE		DWG NO. CUE803NWH	
DRAWN LEWIS LETCHFORD		SIGNED L.L.	DATE 29/01/2014	MATERIAL. ABS UL94-HB	
CHK'D -		-	-	PROJECTION. 	SCALE. 2:5
				SHEET 1 OF 1	

1 2 3

A4