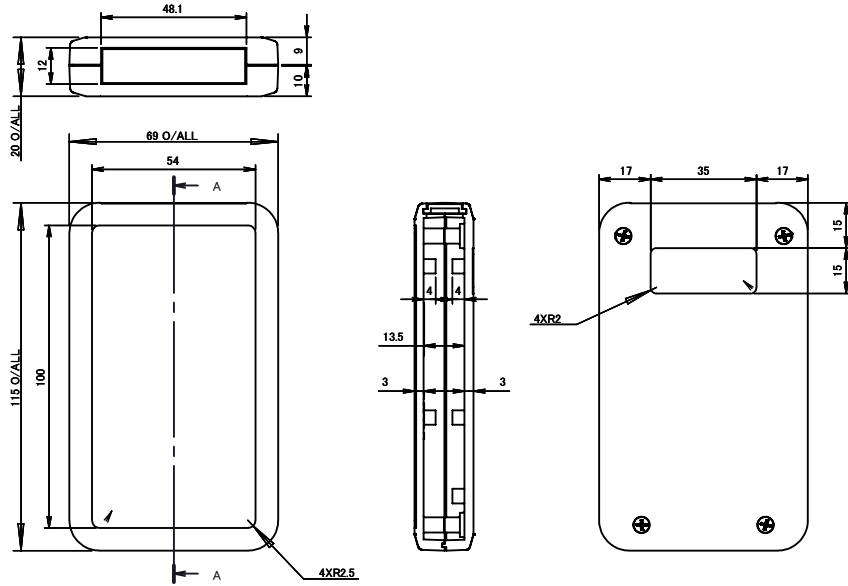
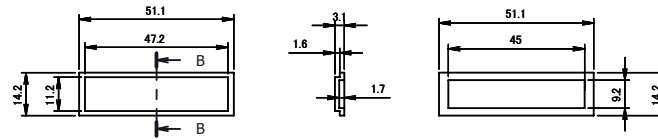
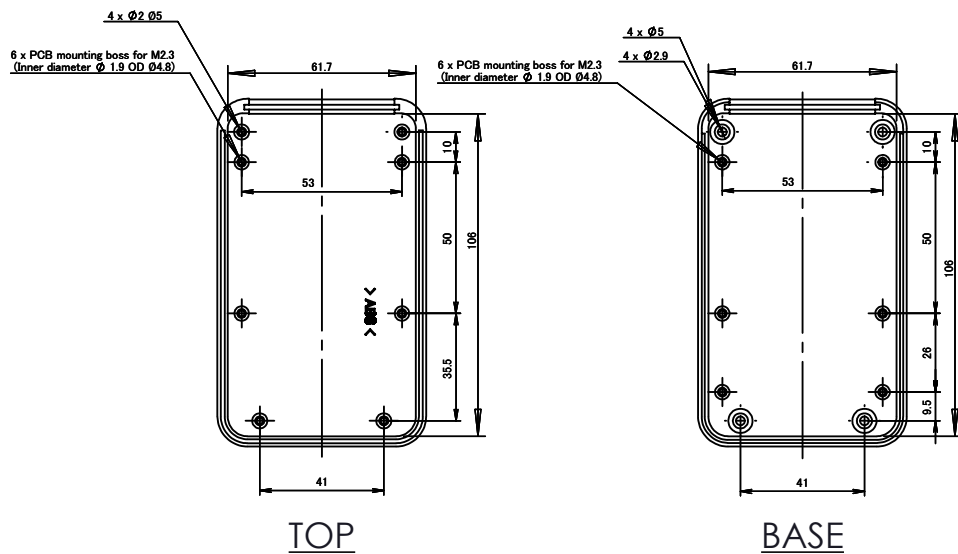
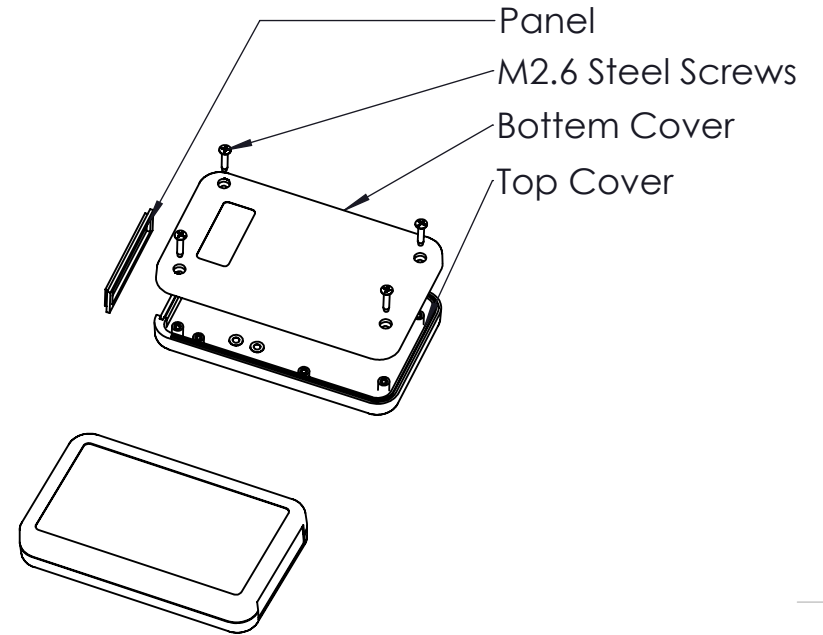



ASSEMBLY



ISO VIEW
2:5



PANEL

 CAMDENBOSS JAMES CARTER RD, MILDENHALL, SUFFOLK. IP28 7DE TEL: 01638 716101 FAX: 01638 716554 EMAIL: Sales@CamdenBoss.com WEB: www.CamdenBoss.com		UNLESS OTHERWISE SPECIFIED: DIMENSIONS ARE IN MILLIMETERS	DO NOT SCALE DRAWING	REVISION. ○
		GENERAL TOLERANCES +/- 0.2	TITLE: 87 SERIES SILICON COVER ENCLOSURES, SIZE 1, WHITE, 115x69x19.5	
		FINISH. FINE TEXTURE	DWG NO. CHH871WHN	A4
DRAWN LEWIS LETCHFORD L.L. 10/02/2014 CHK'D IAN PAGANO I.P. 19/02/14		MATERIAL. ABS UL94-V0	SCALE. 2:5	SHEET 1 OF 1