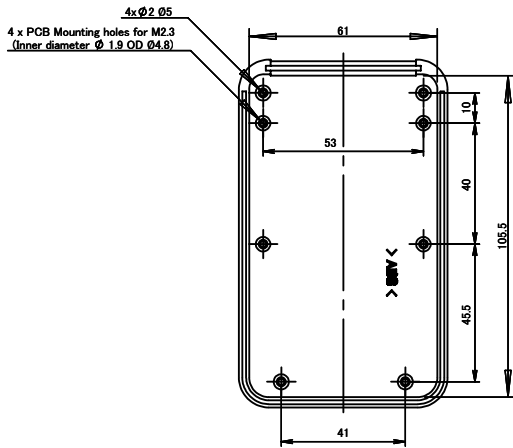
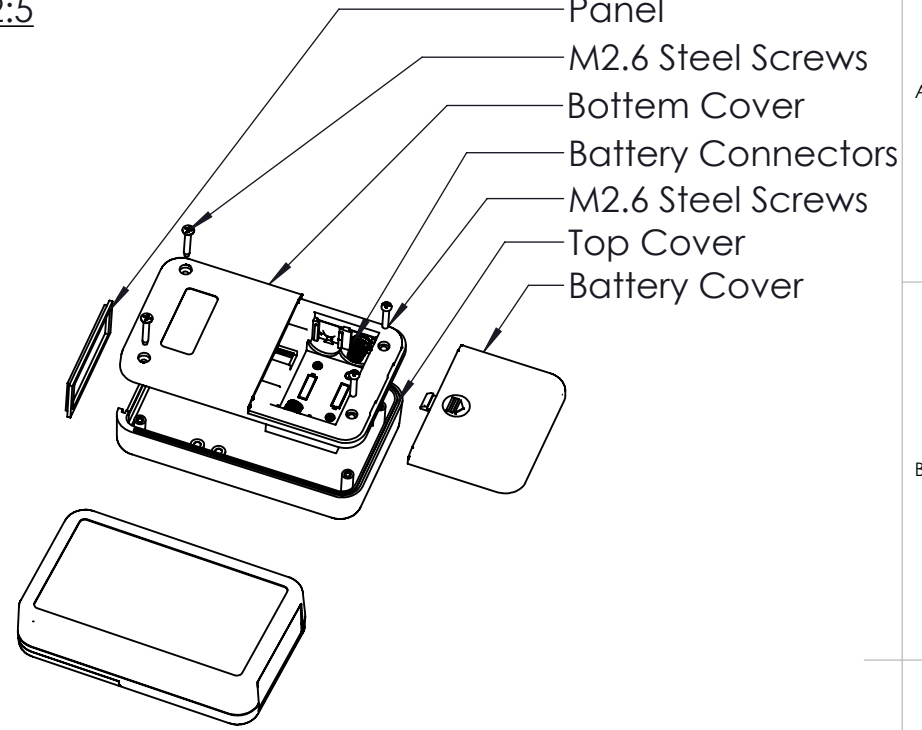
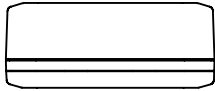
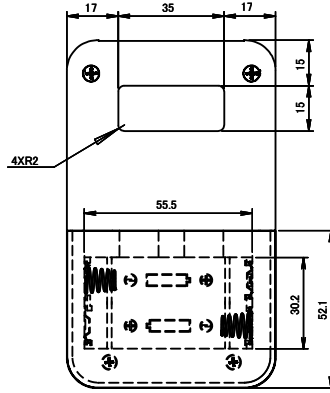
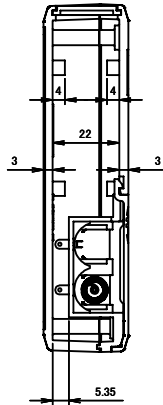
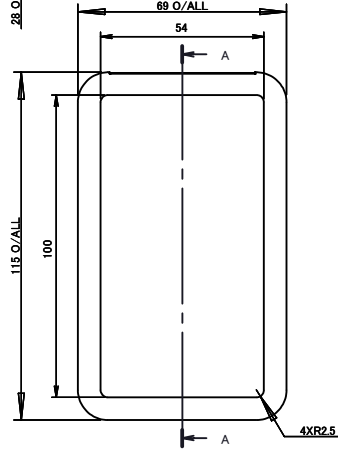
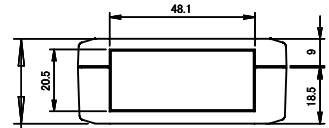
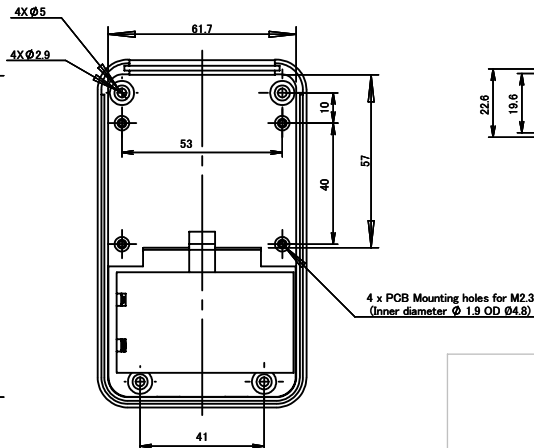


ASSEMBLY

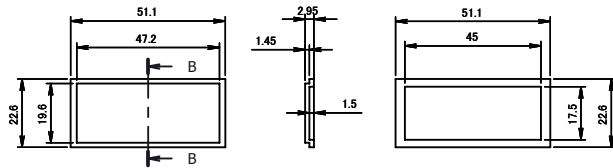
ISO VIEW
2:5





TOP



BASE



PANEL

 CAMDENBOSS JAMES CARTER RD, MILDENHALL, SUFFOLK. IP28 7DE TEL: 01638 716101 FAX: 01638 716554 EMAIL: Sales@CamdenBoss.com WEB: www.CamdenBoss.com		UNLESS OTHERWISE SPECIFIED: DIMENSIONS ARE IN MILLIMETERS		DO NOT SCALE DRAWING		REVISION. <input type="checkbox"/>	
		GENERAL TOLERANCES +/- 0.2		TITLE: 87 SERIES SILICON COVER ENCLOSURES, SIZE 2, WHITE, BATTERY COMPARTMENT, 115x69x28			
DRAWN		NAME		MATERIAL.		DWG NO.	
LEWIS LETCHFORD		L.L.		ABS UL94-V0		CHH872WHB	
CHKD		SIGNED		PROJECTION.		SCALE. 2:5	
IAN PAGANO		I.P.				SHEET 1 OF 1	
11/02/2014		18/02/14				A4	