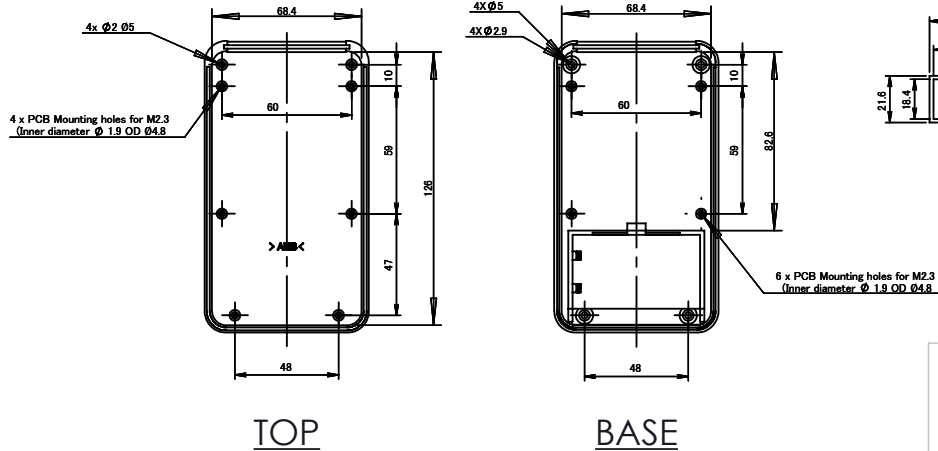
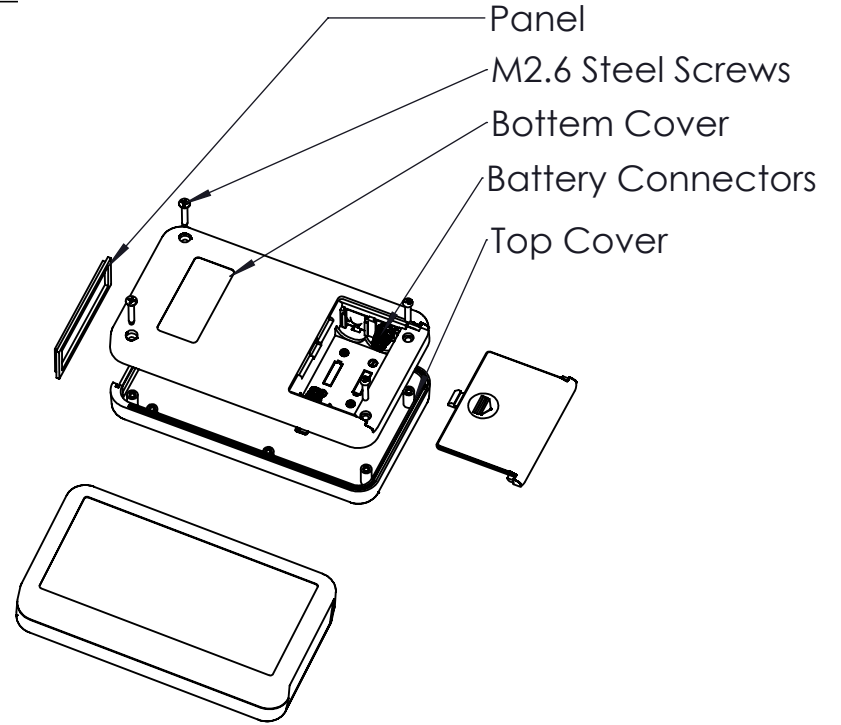
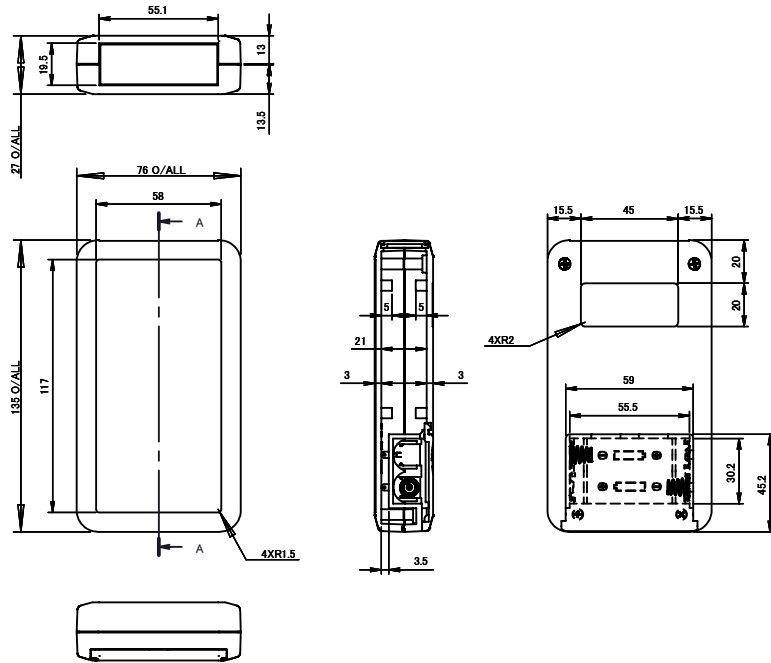



ASSEMBLY

**ISO VIEW
2:7**



PANEL

 CAMDENBOSS JAMES CARTER RD, MILDENHALL, SUFFOLK. IP28 7DE TEL: 01638 716101 FAX: 01638 716554 EMAIL: Sales@CamdenBoss.com WEB: www.CamdenBoss.com		UNLESS OTHERWISE SPECIFIED: DIMENSIONS ARE IN MILLIMETERS	DO NOT SCALE DRAWING	REVISION. <input type="checkbox"/>
		GENERAL TOLERANCES +/- 0.2	TITLE: 87 SERIES SILICON COVER ENCLOSURES, SIZE 3, WHITE, BATTERY COMPARTMENT, 135x76x27	
DRAWN LEWIS LETCHFORD L.L. 11/02/2014		FINISH. FINE TEXTURE	DWG NO. CHH873WHB	
CHKD IAN PAGANO I.P. 21/02/14	NAME SIGNED DATE	MATERIAL. ABS UL94-V0	SCALE. 2:7	SHEET 1 OF 1