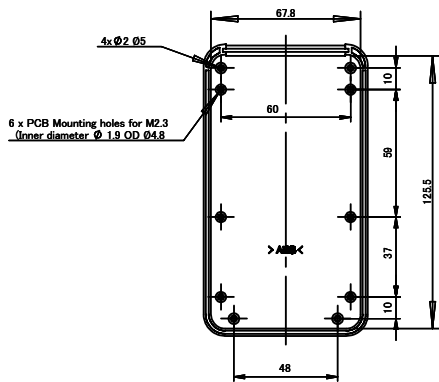
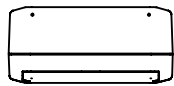
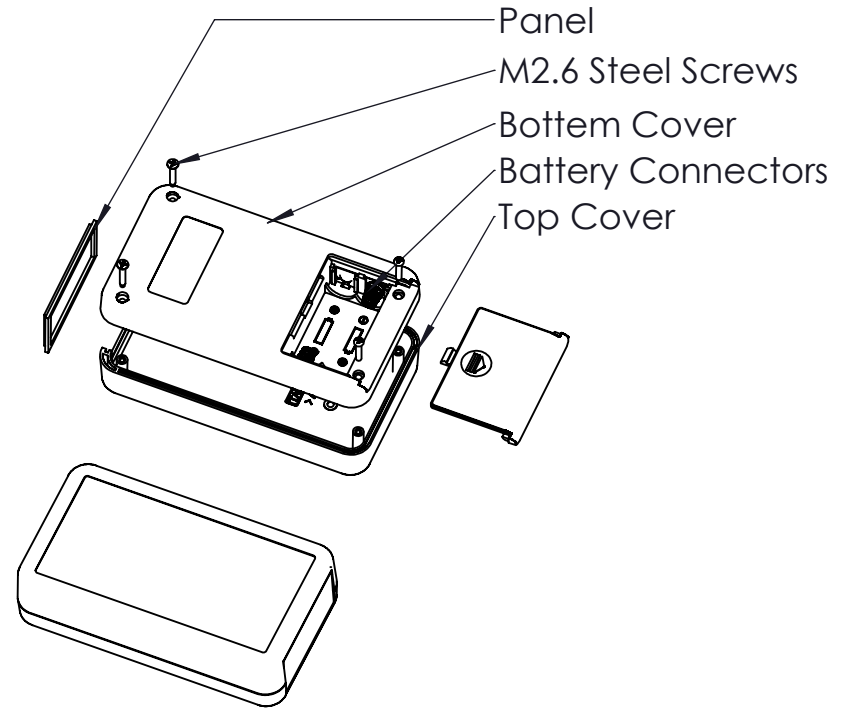
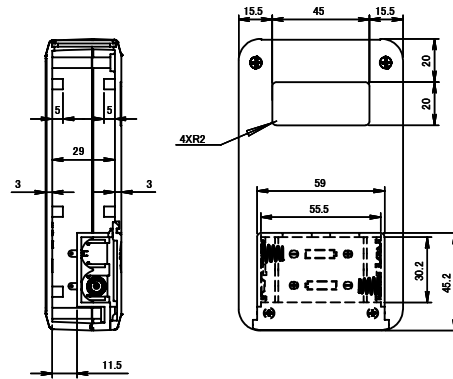
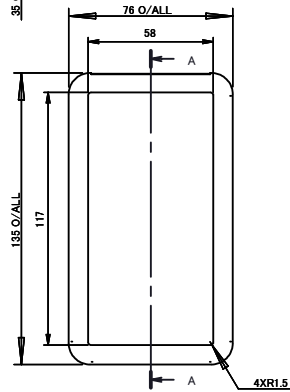
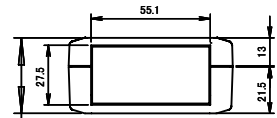
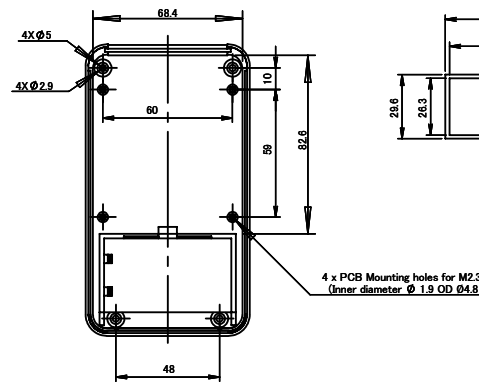


ASSEMBLY

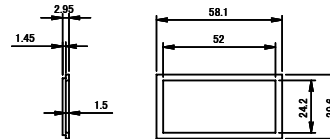
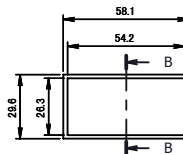
ISO VIEW
2:7



6 x PCB Mounting holes for M2.3
(Inner diameter Ø 1.9 OD Ø4.8)





4 x PCB Mounting holes for M2.3
(Inner diameter Ø 1.9 OD Ø4.8)



PANEL

TOP

BASE

| | | | | |
|---|-----------------|---|--|------------------------------------|
|  CAMDENBOSS JAMES CARTER RD, MILDENHALL, SUFFOLK. IP28 7DE TEL: 01638 716101 FAX: 01638 716554 EMAIL: Sales@CamdenBoss.com WEB: www.CamdenBoss.com | | UNLESS OTHERWISE SPECIFIED: DIMENSIONS ARE IN MILLIMETERS | DO NOT SCALE DRAWING | REVISION. <input type="checkbox"/> |
| | | GENERAL TOLERANCES +/- 0.2 | TITLE: 87 SERIES SILICON COVER ENCLOSURES, SIZE 4, DARK GREY, BATTERY COMPARTMENT, 135x35x76 | |
| | | FINISH. FINE TEXTURE | DWG NO. | CHH874DGB |
| | | MATERIAL. ABS UL94-V0 | SCALE. 2:7 | A4 |
| DRAWN | LEWIS LETCHFORD | L.L. | 11/02/2014 | |
| CHKD | IAN PAGANO | I.P. | 21/02/14 | |
| | | PROJECTION.  | SHEET 1 OF 1 | |