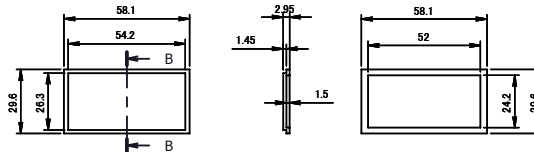
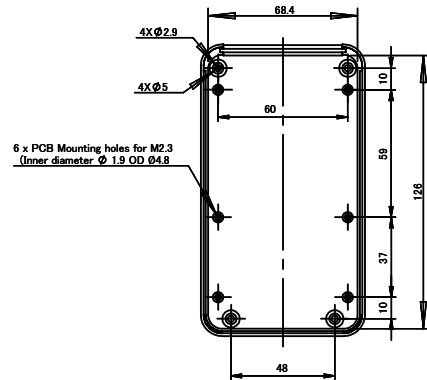
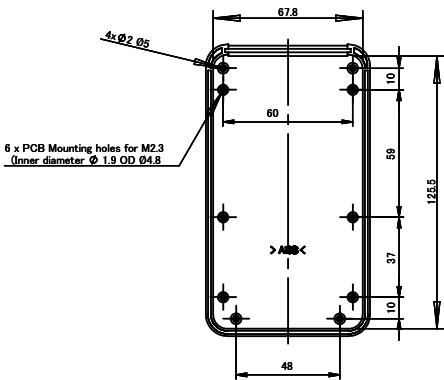
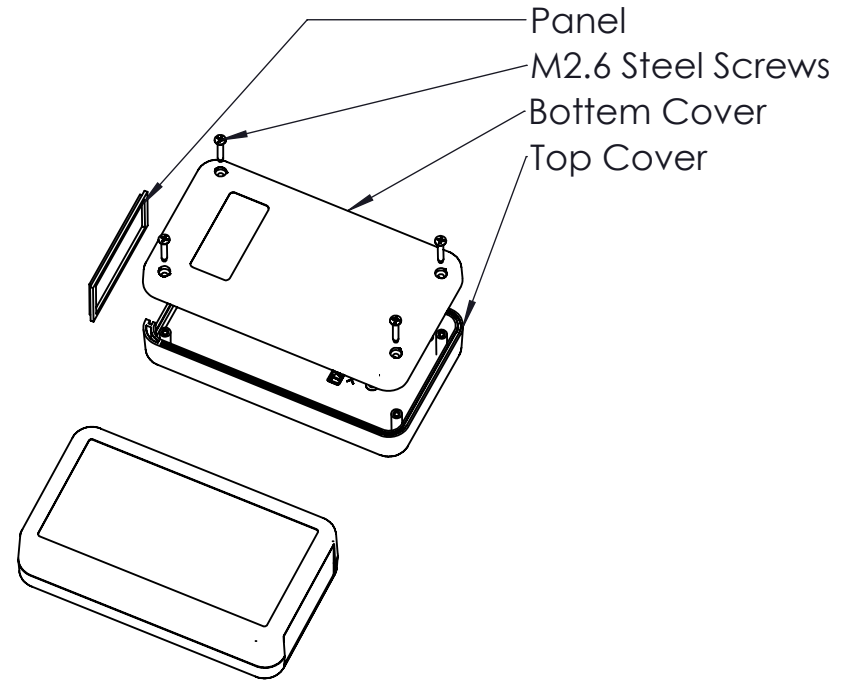
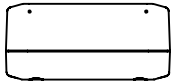
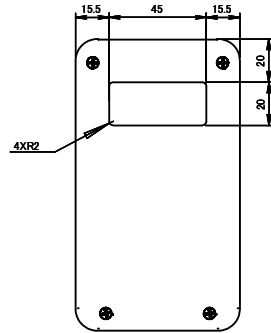
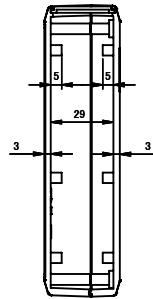
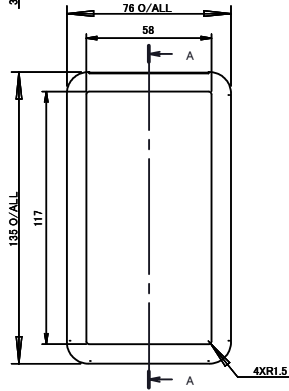
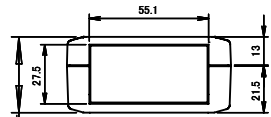


ASSEMBLY



ISO VIEW
2:7



PANEL

TOP

BASE

 CAMDENBOSS JAMES CARTER RD, MILDENHALL, SUFFOLK. IP28 7DE TEL: 01638 716101 FAX: 01638 716554 EMAIL: Sales@CamdenBoss.com WEB: www.CamdenBoss.com		UNLESS OTHERWISE SPECIFIED: DIMENSIONS ARE IN MILLIMETERS		DO NOT SCALE DRAWING	REVISION. <input type="checkbox"/>
		GENERAL TOLERANCES +/- 0.2		TITLE: 87 SERIES SILICON COVER ENCLOSURES, SIZE 4, WHITE, 135x76x35	
DRAWN LEWIS LETCHFORD		SIGNED L.L.	DATE 11/02/2014	FINISH. FINE TEXTURE	
MATERIAL. ABS UL94-V0		DWG NO. CHH874WHN		A4	
CHKD IAN PAGANO	I.P.	21/02/14	PROJECTION. 	SCALE: 2:7	SHEET 1 OF 1