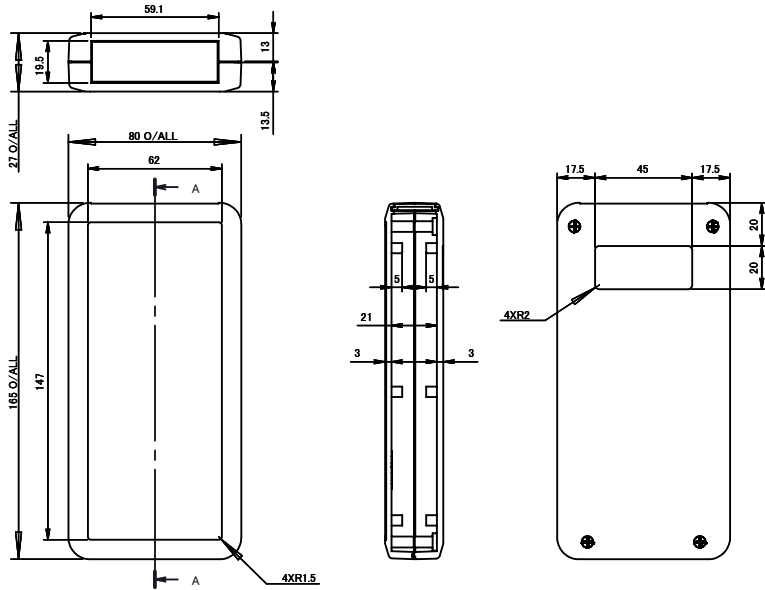
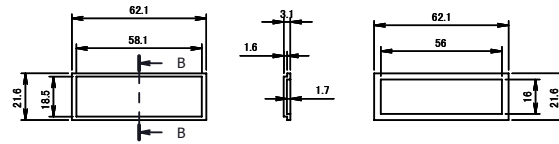
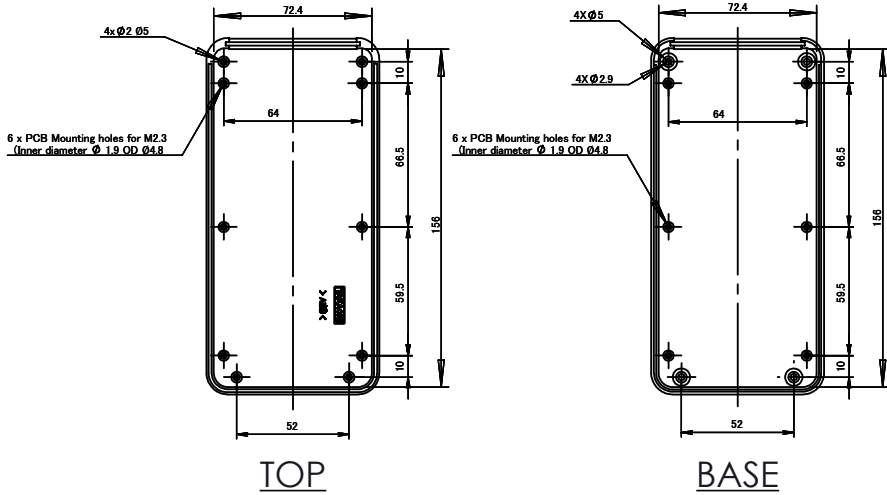
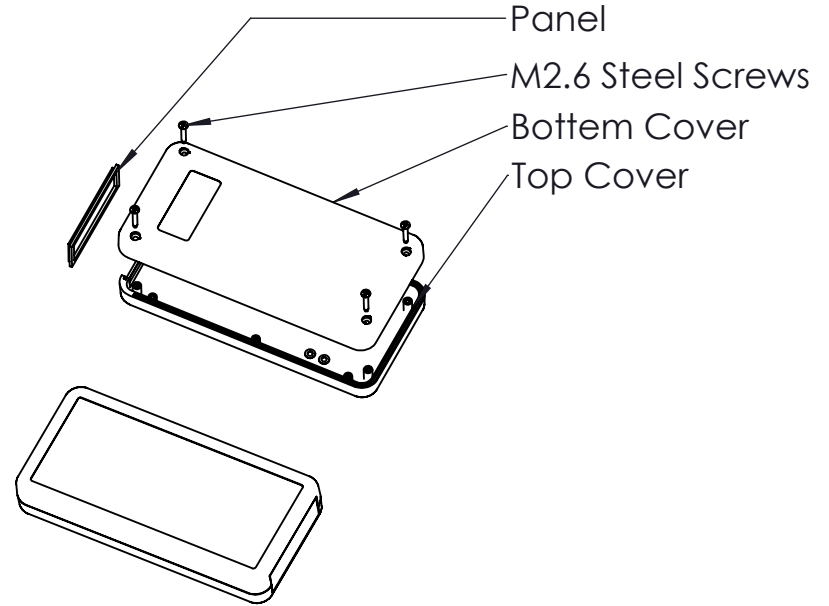




ASSEMBLY



**ISO VIEW
2:7**



PANEL

| | | | | | |
|---|--|--|--|---|------------------------------------|
|  CAMDENBOSS JAMES CARTER RD, MILDENHALL, SUFFOLK. IP28 7DE TEL: 01638 716101 FAX: 01638 716554 EMAIL: Sales@CamdenBoss.com WEB: www.CamdenBoss.com | | UNLESS OTHERWISE SPECIFIED: DIMENSIONS ARE IN MILLIMETERS | | DO NOT SCALE DRAWING | REVISION. <input type="checkbox"/> |
| | | GENERAL TOLERANCES +/- 0.2 | | TITLE: 87 SERIES SILICON COVER ENCLOSURES, SIZE 5, DARK GREY, 165x80x27 | |
| DRAWN: LEWIS LETCHFORD | | NAME: LEWIS LETCHFORD | | DWG NO. CHH875DGN | |
| SIGNED: L.L. | | SIGNED: L.L. | | SCALE: 2:7 | |
| DATE: 11/02/2014 | | DATE: 11/02/2014 | | SHEET 1 OF 1 | |
| CHKD: IAN PAGANO | | CHKD: IAN PAGANO | | MATERIAL: ABS UL94-V0 | |
| I.P. | | I.P. | | PROJECTION.  | |