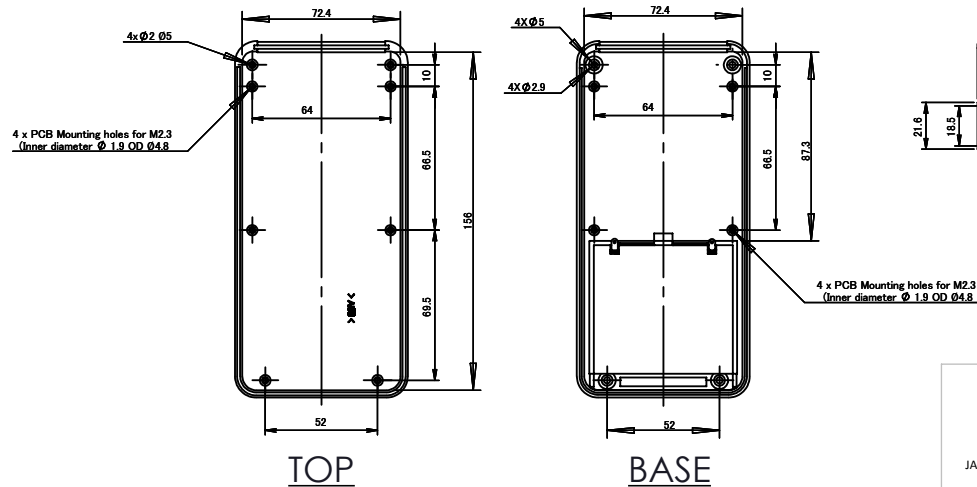
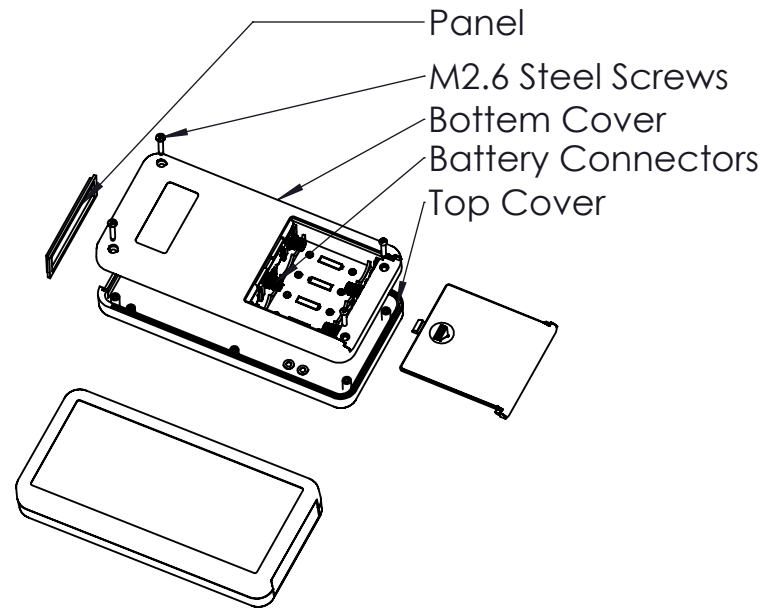
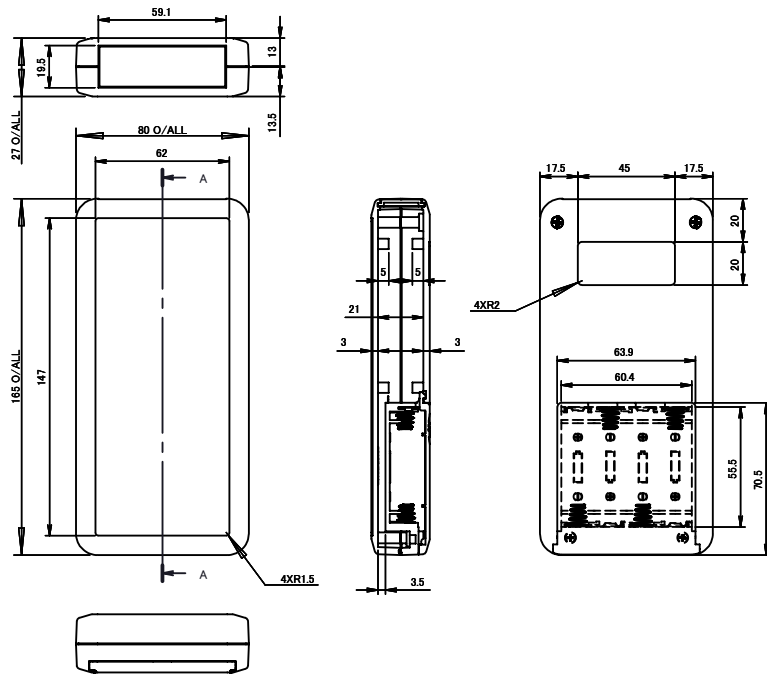



ASSEMBLY

ISO VIEW
2:7



PANEL

 CAMDENBOSS JAMES CARTER RD, MILDENHALL, SUFFOLK. IP28 7DE TEL: 01638 716101 FAX: 01638 716554 EMAIL: Sales@CamdenBoss.com WEB: www.CamdenBoss.com		UNLESS OTHERWISE SPECIFIED: DIMENSIONS ARE IN MILLIMETERS	DO NOT SCALE DRAWING	REVISION. ○
		GENERAL TOLERANCES +/- 0.2	TITLE: 87 SERIES SILICON COVER ENCLOSURES, SIZE 5, WHITE, BATTERY COMPARTMENT, 165x80x27	
		FINISH: FINE TEXTURE	DWG NO.	CHH875WHC
		MATERIAL: ABS UL94-V0	SCALE: 2:7	A4
DRAWN	NAME	SIGNED	DATE	
CHKD	IAN PAGANO	I.P.	21/02/14	
		PROJECTION.	SHEET 1 OF 1	