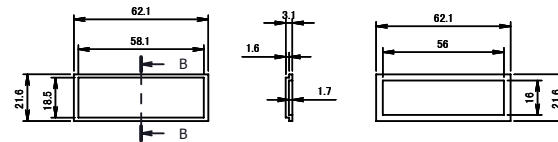
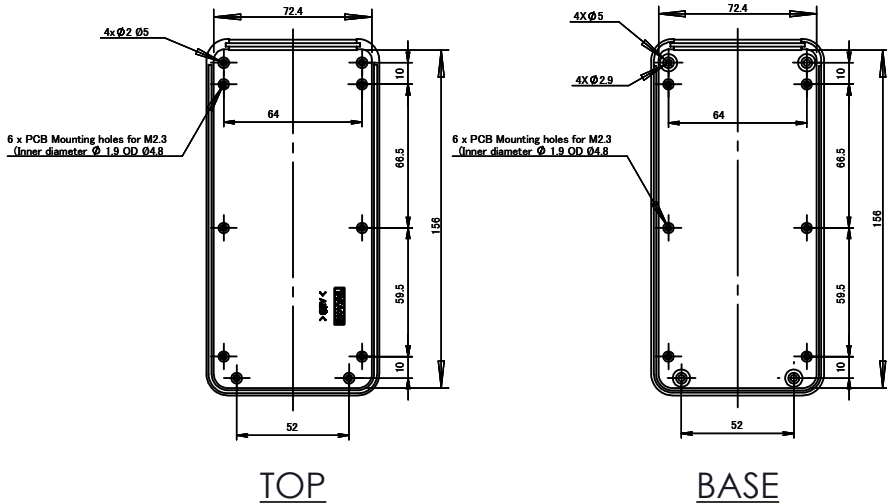
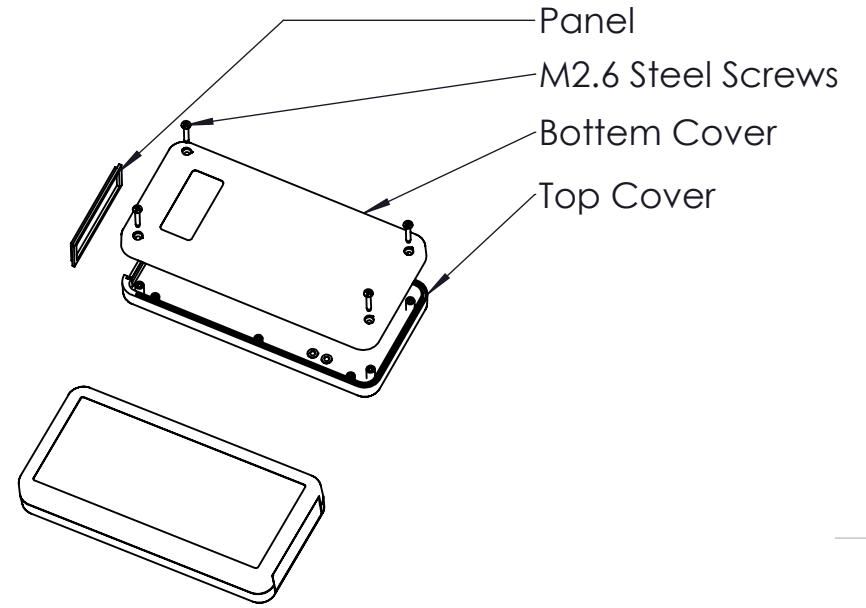
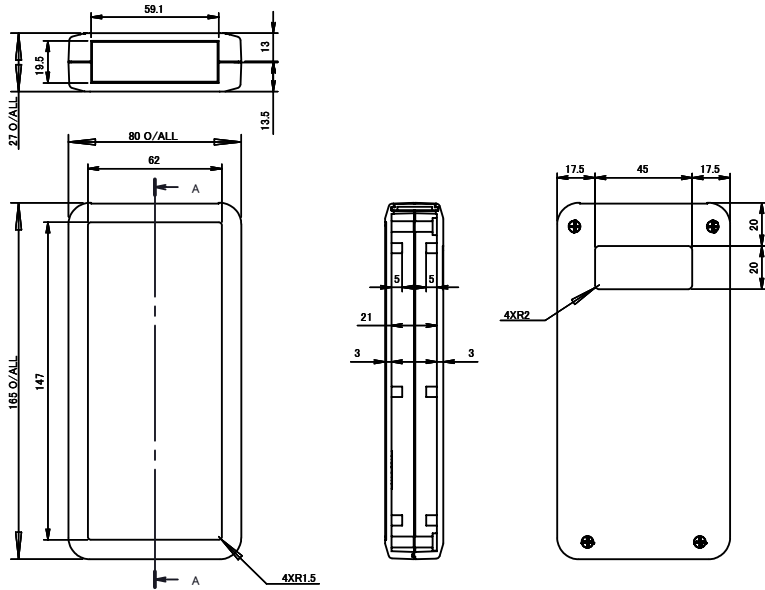



Assembly

ISO VIEW
2:7



PANEL

 CAMDENBOSS JAMES CARTER RD, MILDENHALL, SUFFOLK. IP28 7DE TEL: 01638 716101 FAX: 01638 716554 EMAIL: Sales@CamdenBoss.com WEB: www.CamdenBoss.com		UNLESS OTHERWISE SPECIFIED: DIMENSIONS ARE IN MILLIMETERS		DO NOT SCALE DRAWING	REVISION. ○		
		GENERAL TOLERANCES +/- 0.2		TITLE: 87 SERIES SILICON COVER ENCLOSURES, SIZE 5, WHITE, 165x80x27			
DRAWN		NAME	SIGNED	DATE	MATERIAL.	DWG NO.	CHH875WHN A4
CHKD	LEWIS LETCHFORD	L.L.		11/02/2014	ABS UL94-V0		
		NAME	SIGNED	DATE	PROJECTION.	SCALE: 2:7	SHEET 1 OF 1
		IAN PAGANO	I.P.	21/02/14	