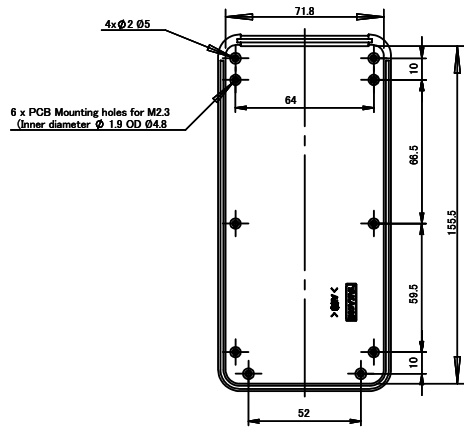
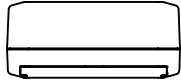
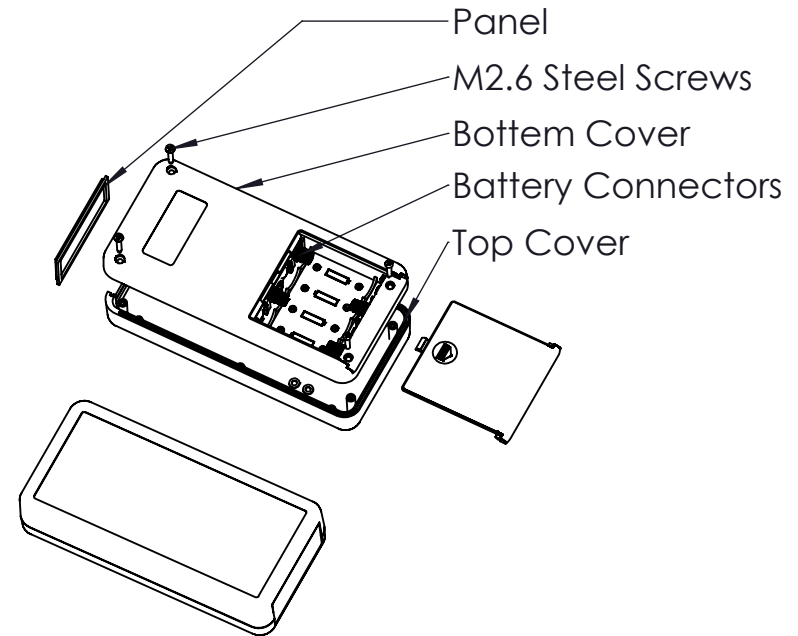
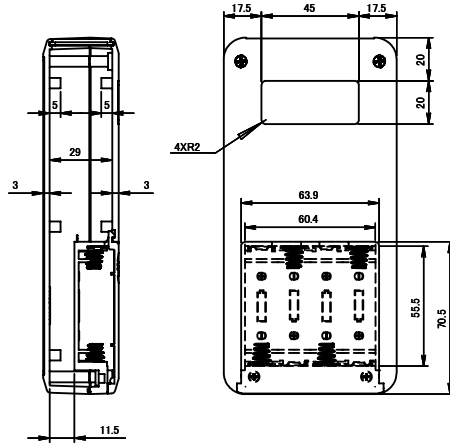
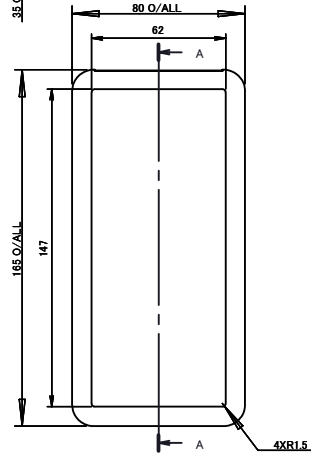
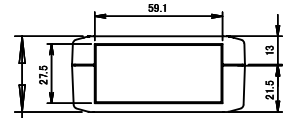
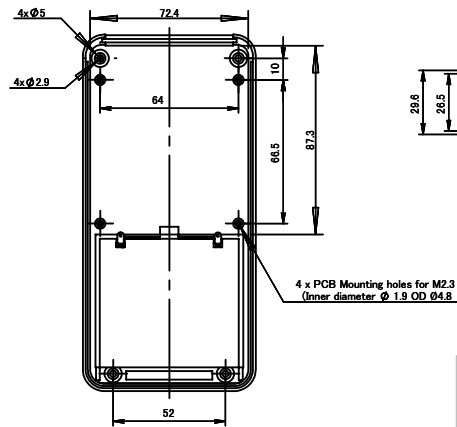


ASSEMBLY

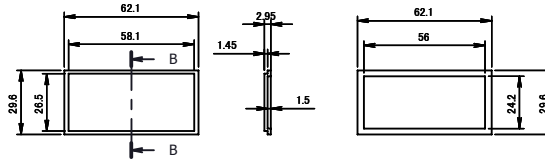
ISO VIEW 2:7




TOP



BASE



PANEL

 CAMDENBOSS JAMES CARTER RD, MILDENHALL, SUFFOLK. IP28 7DE TEL: 01638 716101 FAX: 01638 716554 EMAIL: Sales@CamdenBoss.com WEB: www.CamdenBoss.com		UNLESS OTHERWISE SPECIFIED: DIMENSIONS ARE IN MILLIMETERS		DO NOT SCALE DRAWING	REVISION. <input type="checkbox"/>
		GENERAL TOLERANCES +/- 0.2		TITLE: 87 SERIES SILICON COVER ENCLOSURES, SIZE 6, DARK GREY, BATTERY COMPARTMENT, 165x80x35	
		FINISH. FINE TEXTURE		DWG NO. CHH876DGC	
		MATERIAL. ABS UL94-V0		A4	
DRAWN	LEWIS LETCHFORD	L.L.	11/02/2014	SCALE: 2:7	
CHK'D	IAN PAGANO	I.P.	21/02/14	SHEET 1 OF 1	