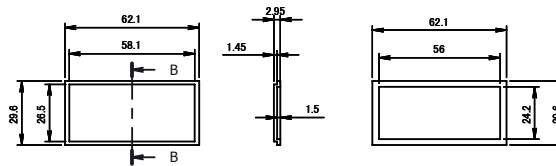
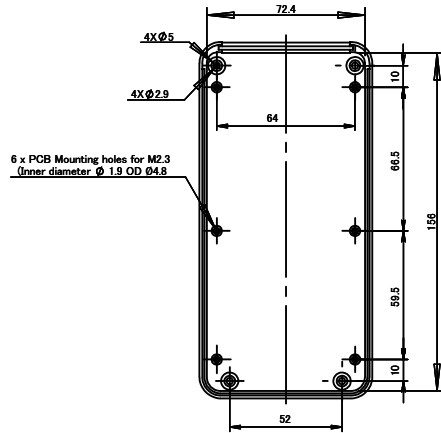
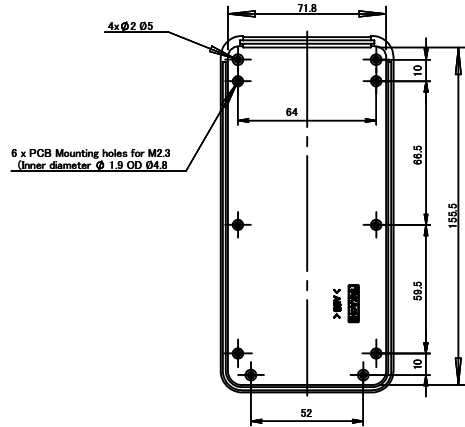
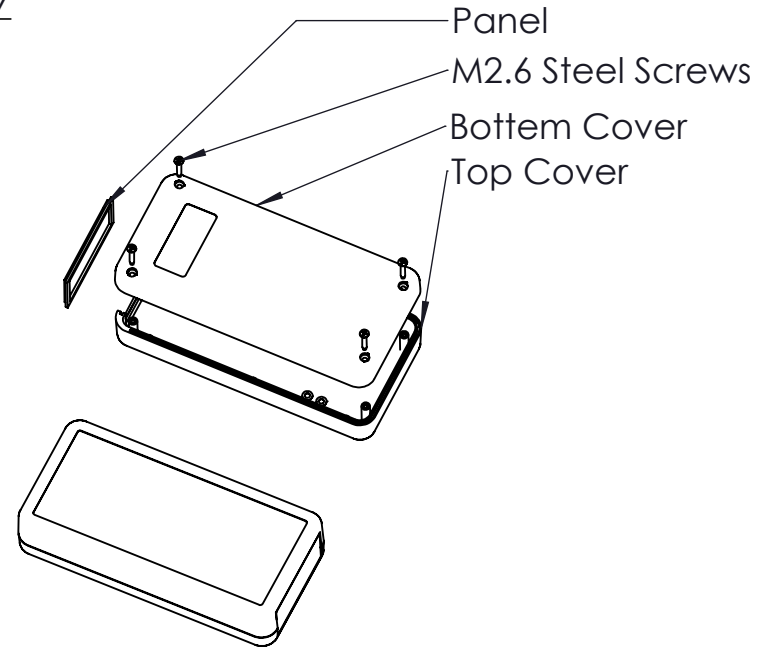
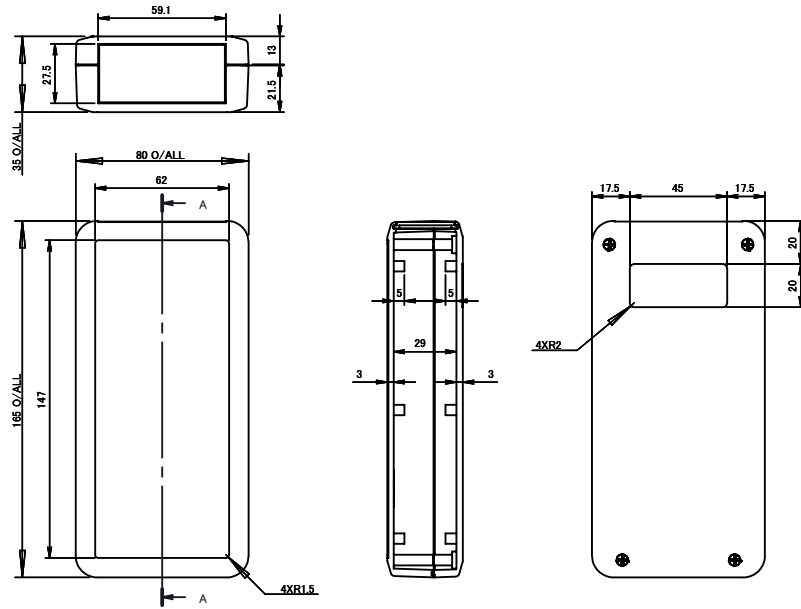


ASSEMBLY



ISO VIEW
2:7



PANEL

TOP

BASE

 CAMDENBOSS JAMES CARTER RD, MILDENHALL, SUFFOLK. IP28 7DE TEL: 01638 716101 FAX: 01638 716554 EMAIL: Sales@CamdenBoss.com WEB: www.CamdenBoss.com		UNLESS OTHERWISE SPECIFIED: DIMENSIONS ARE IN MILLIMETERS	DO NOT SCALE DRAWING	REVISION. ○
		GENERAL TOLERANCES +/- 0.2	TITLE: 87 SERIES SILICON COVER ENCLOSURES, SIZE 6, WHITE, 165x80x35	
		FINISH. FINE TEXTURE	DWG NO. CHH876WHN	A4
DRAWN	LEWIS LETCHFORD	L.L.	11/02/2014	MATERIAL. ABS UL94-V0
CHKD	IAN PAGANO	I.P.	21/02/14	PROJECTION. 
			SCALE: 2:7	SHEET 1 OF 1