

1 2 3 4 5 6

A

B

C

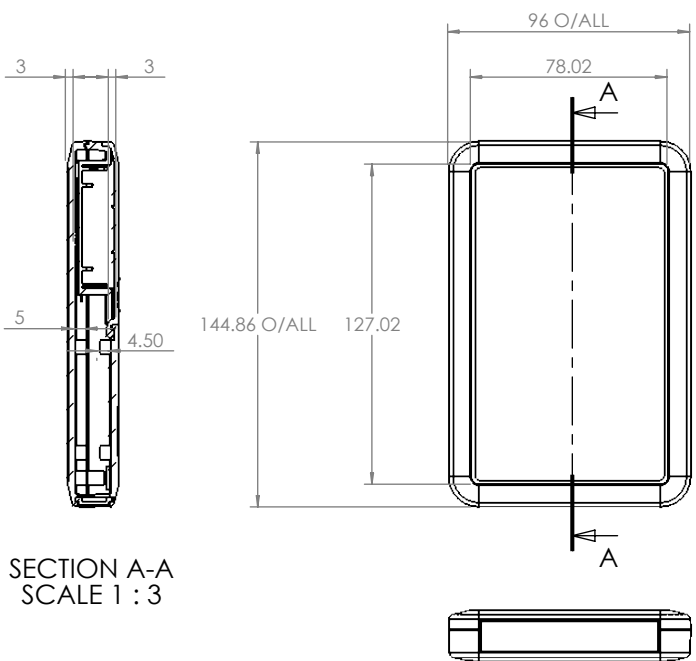
D

A

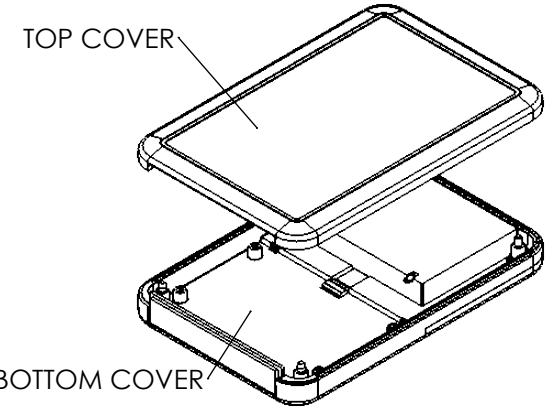
B

C

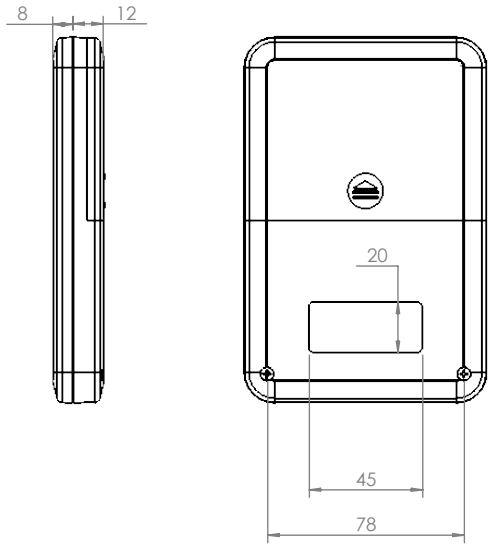
D



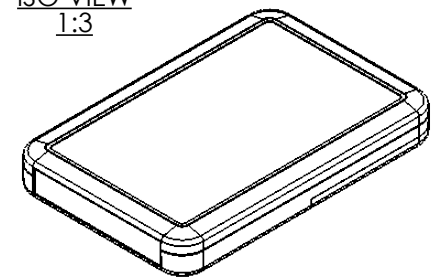
SECTION A-A
SCALE 1 : 3





TOP COVER
BOTTOM COVER



ISO VIEW
1:3



 CAMDENBOSS JAMES CARTER RD, MILDENHALL, SUFFOLK. IP28 7DE TEL: 01638 716101 FAX: 01638 716554 EMAIL: Sales@CamdenBoss.com WEB: www.CamdenBoss.com				UNLESS OTHERWISE SPECIFIED: DIMENSIONS ARE IN MILLIMETERS		DO NOT SCALE DRAWING		REVISION. 0		
				GENERAL TOLERANCES +/- 0.2		TITLE: 87 SERIES FOR BOX, SIZE 7, DARK GREY, 145x96x20				
				FINISH: FINE TEXTURE		MATERIAL: ABS UL94-V0		DWG NO. CHH877DGD		A4
DRAWN	NAME I.ALSAHEB	SIGNED IMS	DATE 27/09/17	PROJECTION.		SCALE: 1:3		SHEET 1 OF 1		
CHK'D	DAN SMALLEY	DS	27/09/17							

1 2 3