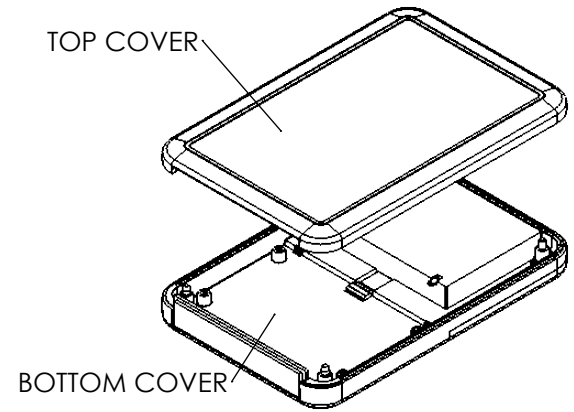
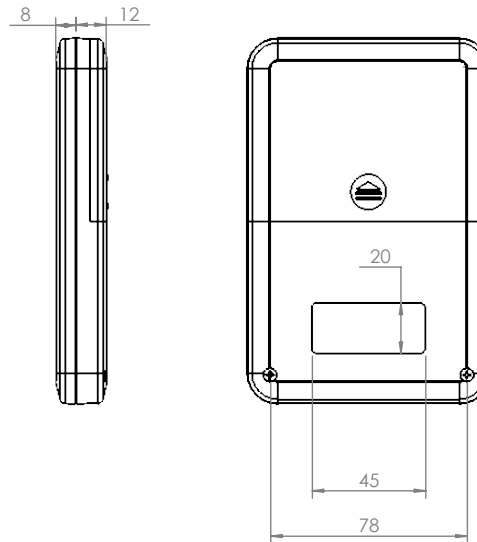
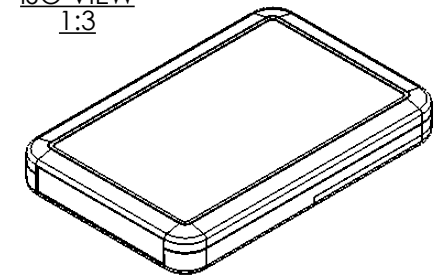




SECTION A-A  
SCALE 1 : 3



ISO VIEW  
1:3



|   |             |     |                                 |   |  |             |
|---|-------------|-----|---------------------------------|---|--|-------------|
| <br><b>CAMDENBOSS</b><br>JAMES CARTER RD, MILDENHALL, SUFFOLK. IP28 7DE<br>TEL: 01638 716101 FAX: 01638 716554<br>EMAIL: Sales@CamdenBoss.com<br>WEB: www.CamdenBoss.com |             |     |                                 | UNLESS OTHERWISE SPECIFIED:<br>DIMENSIONS ARE IN MILLIMETERS                                      | DO NOT SCALE DRAWING   | REVISION. 0 |
|   |             |     |                                 | GENERAL TOLERANCES +/- 0.2  | TITLE:<br><b>87 SERIES FOR BOX, SIZE 7, OFF-WHITE,<br/>145x96x20</b> |             |
|   |             |     | MATERIAL.<br><b>ABS UL94-V0</b> | DWG NO.<br><b>CHH877WHD</b>   | <b>A4</b>  |             |
| DRAWN   | I.ALSAHEB   | IMS | 27/09/17                        | SCALE: 1:3  | SHEET 1 OF 1   |             |
| CHK'D   | DAN SMALLEY | DS  | 27/09/17                        | PROJECTION.  |  |             |