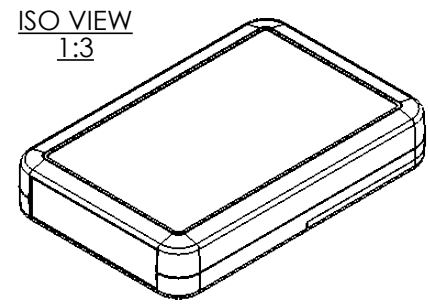
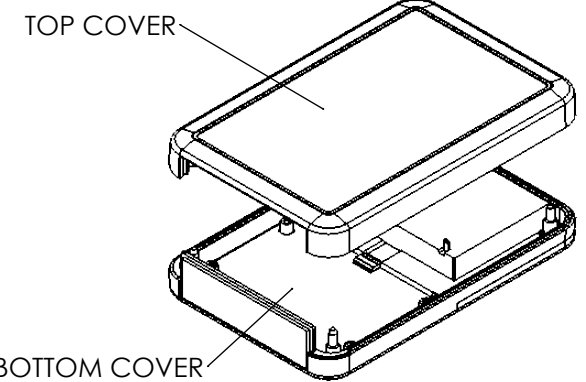




SECTION A-A
SCALE 1 : 3



 CAMDENBOSS JAMES CARTER RD, MILDENHALL, SUFFOLK. IP28 7DE TEL: 01638 716101 FAX: 01638 716554 EMAIL: Sales@CamdenBoss.com WEB: www.CamdenBoss.com				UNLESS OTHERWISE SPECIFIED: DIMENSIONS ARE IN MILLIMETERS	DO NOT SCALE DRAWING	REVISION. 0
				GENERAL TOLERANCES +/- 0.2	TITLE: 87 SERIES FOR BOX, SIZE 8, DARK GREY, 145x96x27	
				MATERIAL: ABS UL94-V0	DWG NO. CHH878DGD	A4
DRAWN	I.ALSAHEB	IMS	01/10/17	PROJECTION. 	SCALE: 1:3	SHEET 1 OF 1
CHK'D	DAN SMALLEY	DS	01/10/17			