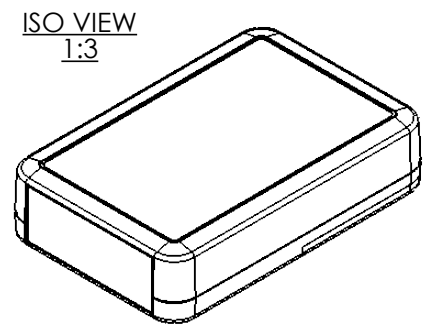
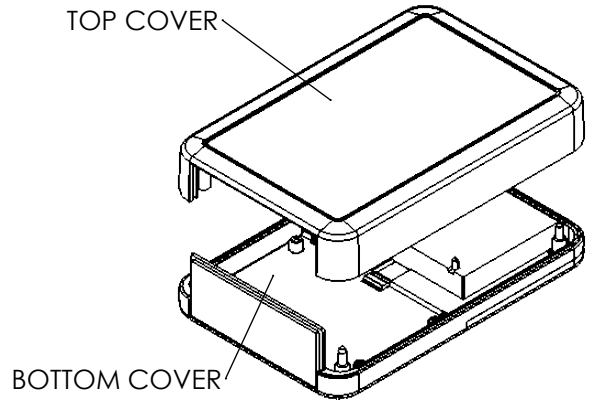



SECTION A-A
SCALE 1 : 3



 CAMDENBOSS JAMES CARTER RD, MILDENHALL, SUFFOLK. IP28 7DE TEL: 01638 716101 FAX: 01638 716554 EMAIL: Sales@CamdenBoss.com WEB: www.CamdenBoss.com		UNLESS OTHERWISE SPECIFIED: DIMENSIONS ARE IN MILLIMETERS	DO NOT SCALE DRAWING	REVISION. 0
		GENERAL TOLERANCES +/- 0.2	TITLE: 87 SERIES FOR BOX, SIZE 9, DARK GREY, 145x96x35	
		FINISH: FINE TEXTURE	DWG NO. CHH879DGD	
		MATERIAL: ABS UL94-V0	A4	
DRAWN	I.ALSAHEB	IMS	02/10/17	SCALE: 1:3
CHK'D	DAN SMALLEY	DS	02/10/17	SHEET 1 OF 1