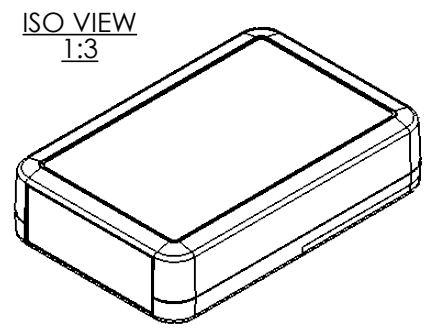
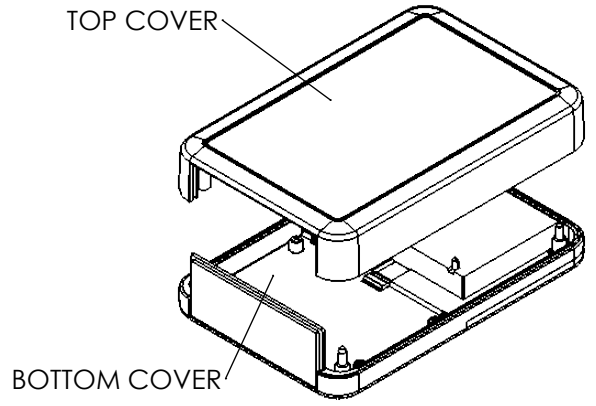




SECTION A-A
SCALE 1 : 3



 CAMDENBOSS JAMES CARTER RD, MILDENHALL, SUFFOLK. IP28 7DE TEL: 01638 716101 FAX: 01638 716554 EMAIL: Sales@CamdenBoss.com WEB: www.CamdenBoss.com		UNLESS OTHERWISE SPECIFIED: DIMENSIONS ARE IN MILLIMETERS	DO NOT SCALE DRAWING	REVISION. 0
		GENERAL TOLERANCES +/- 0.2	TITLE: 87 SERIES FOR BOX, SIZE 9, OFF-WHITE, 145x96x35	
		FINISH: FINE TEXTURE	DWG NO. CHH879WHD	
DRAWN	NAME I.ALSAHEB	SIGNED IMS	DATE 02/10/17	MATERIAL: ABS UL94-V0
CHK'D	DAN SMALLEY	DS	02/10/17	PROJECTION. 
			SCALE: 1:3	SHEET 1 OF 1
			A4	