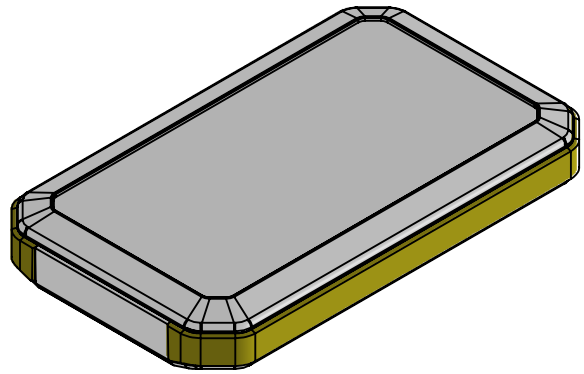
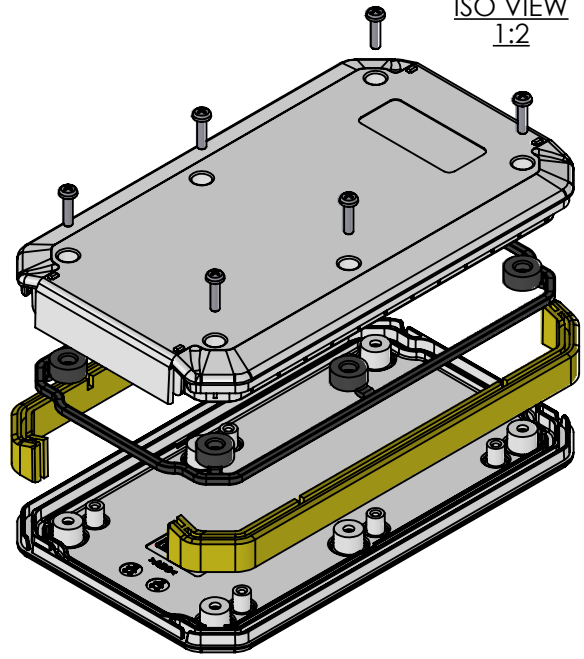




SECTION A-A

SECTION B-B

ISO VIEW
1:2



 CAMDENBOSS JAMES CARTER RD, MILDENHALL, SUFFOLK. IP28 7DE TEL: 01638 716101 FAX: 01638 716554 EMAIL: Sales@CamdenBoss.com WEB: www.CamdenBoss.com				UNLESS OTHERWISE SPECIFIED: DIMENSIONS ARE IN MILLIMETERS	DO NOT SCALE DRAWING	REVISION. <input type="checkbox"/>
				GENERAL TOLERANCES +/- 0.2	TITLE: DRAWING FOR 90 SERIES SIZE 1 NO BATTERY COMPARTMENT	
DRAWN	NAME IAN PAGANO	SIGNED I.P.	DATE 23/01/15	FINISH. LIGHT SPARK	MATERIAL. ABS UL 94 - V0	DWG NO. CHH901NWY
CHK'D	-	-	-	PROJECTION. 	SCALE: 2:5	SHEET 1 OF 1

A4