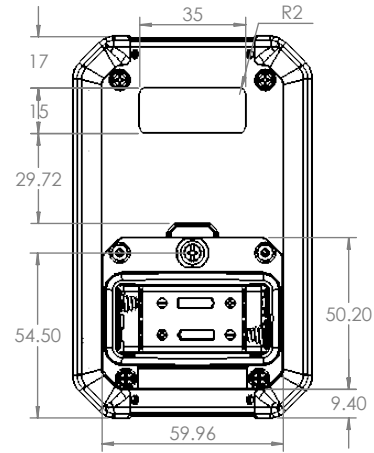
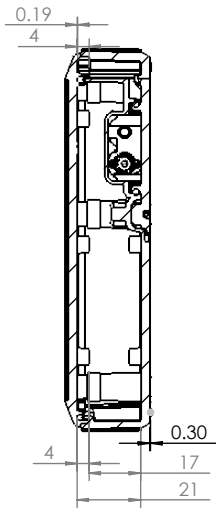
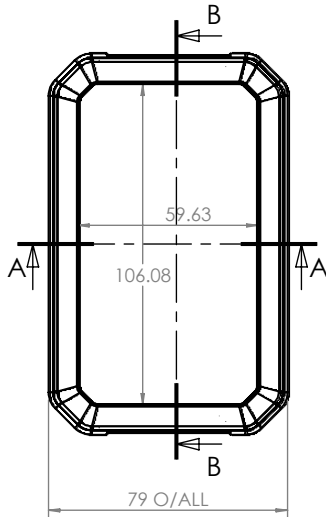
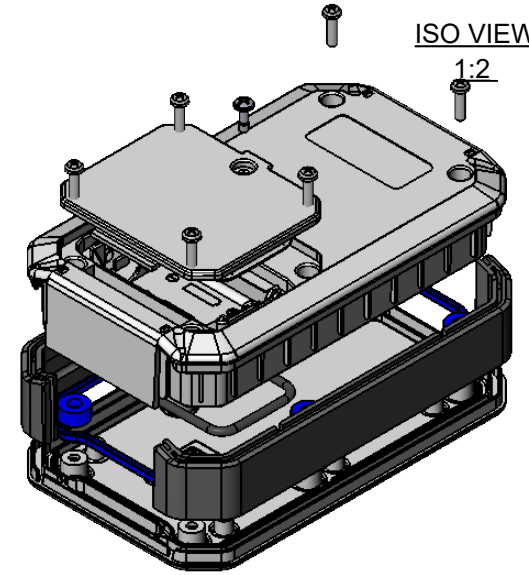


SECTION B-B

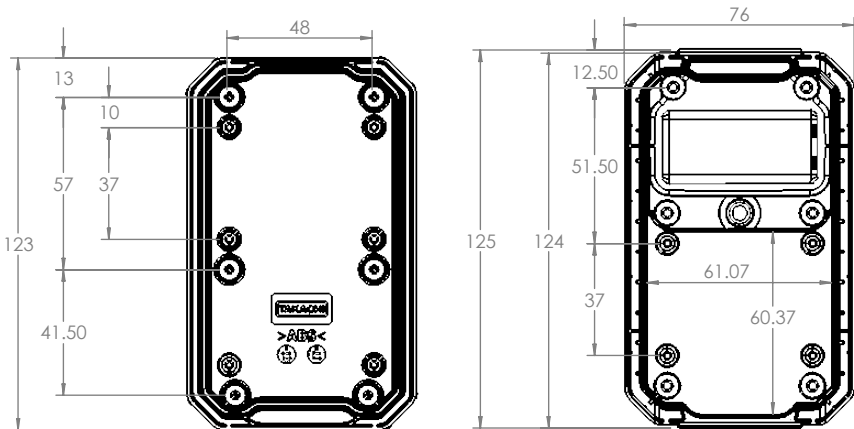
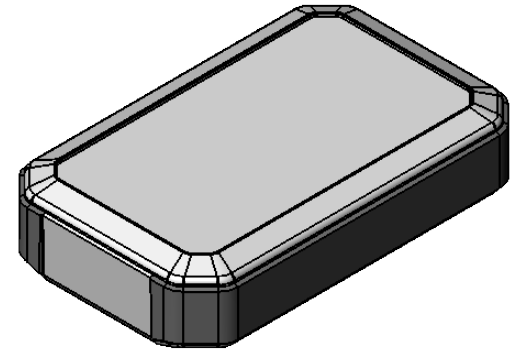
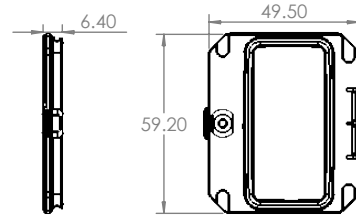
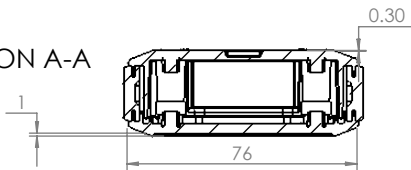



ISO VIEW

1:2



SECTION A-A



| | | | | | | |
|---|-------------------|---------------|------------------|--|---|--------------|
|  CAMDENBOSS JAMES CARTER RD, MILDENHALL, SUFFOLK. IP28 7DE TEL: 01638 716101 FAX: 01638 716554 EMAIL: Sales@CamdenBoss.com WEB: www.CamdenBoss.com | | | | UNLESS OTHERWISE SPECIFIED: DIMENSIONS ARE IN MILLIMETERS | DO NOT SCALE DRAWING | REVISION. 0 |
| | | | | GENERAL TOLERANCES +/- 0.2 | TITLE: 90 SERIES FOR BOX, SIZE 4, 126x79x28 | |
| FINISH: FINE TEXTURE | | | | MATERIAL: ABS UL94-V0 | DWG NO. CHH905DWG | A4 |
| DRAWN | NAME I.ALSAHEB | SIGNED IMS | DATE 11/11/17 | PROJECTION. | SCALE: 2:5 | SHEET 1 OF 1 |
| CHK'D | DAN SMALLEY | DS | 11/11/17 | | | |