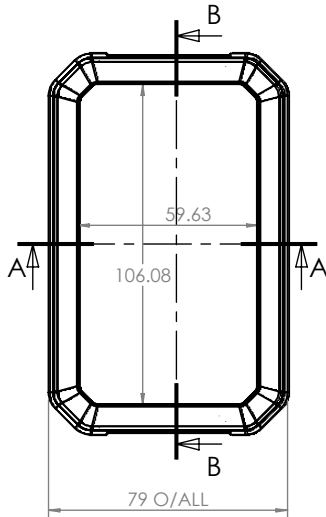
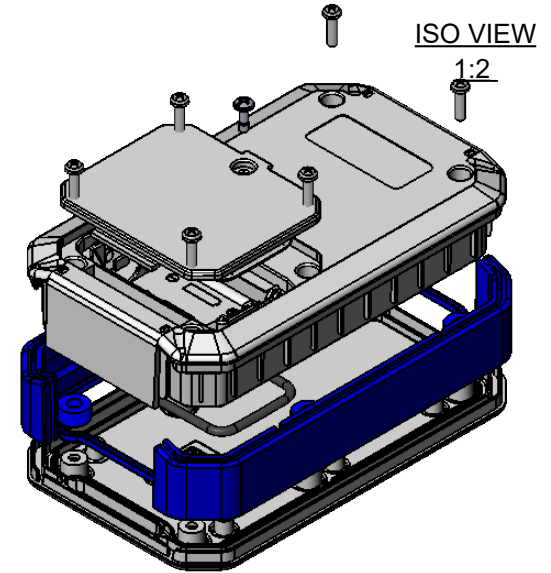
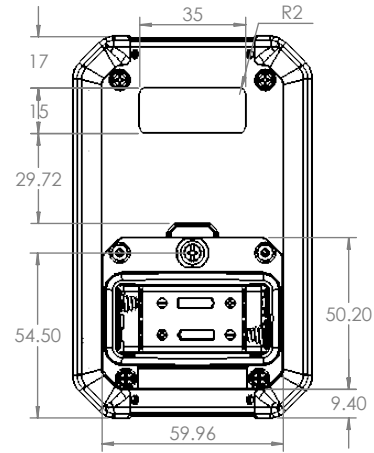
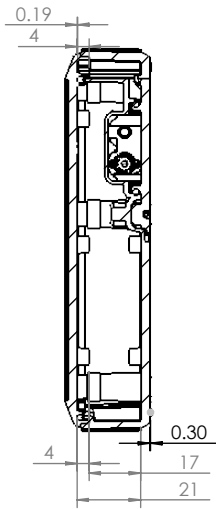
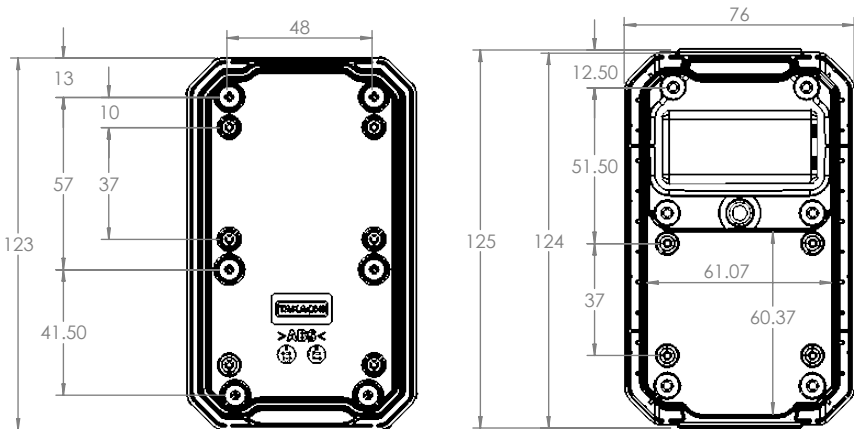
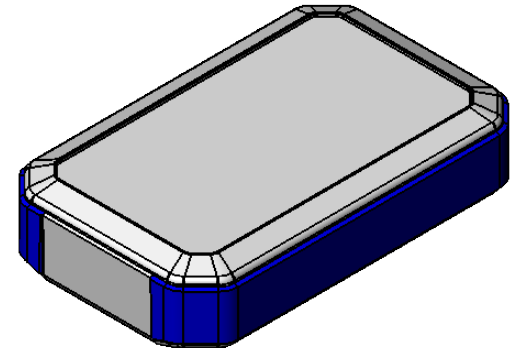
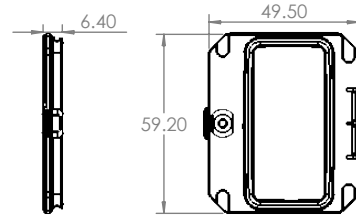
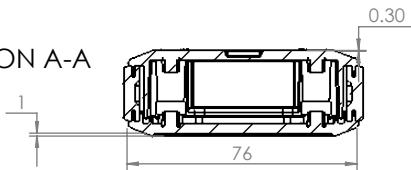




SECTION B-B



SECTION A-A



 CAMDENBOSS JAMES CARTER RD, MILDENHALL, SUFFOLK. IP28 7DE TEL: 01638 716101 FAX: 01638 716554 EMAIL: Sales@CamdenBoss.com WEB: www.CamdenBoss.com		UNLESS OTHERWISE SPECIFIED: DIMENSIONS ARE IN MILLIMETERS	DO NOT SCALE DRAWING	REVISION. 0
		GENERAL TOLERANCES +/- 0.2	TITLE: 90 SERIES FOR BOX, SIZE 4, 126x79x28	
DRAWN I.ALSAHEB		FINISH FINE TEXTURE	DWG NO. CHH905DWL	
NAME	SIGNED	DATE	MATERIAL. ABS UL94-V0	
CHK'D DAN SMALLEY	DS	11/11/17	PROJECTION. 	
11/11/17		SCALE: 2:5		SHEET 1 OF 1

A4