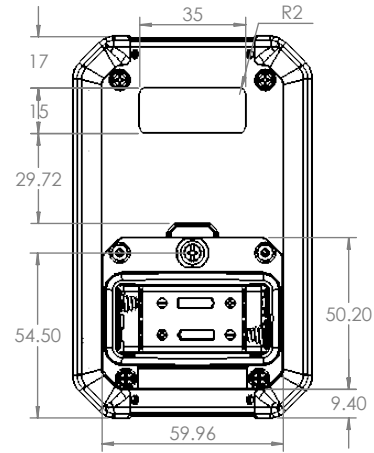
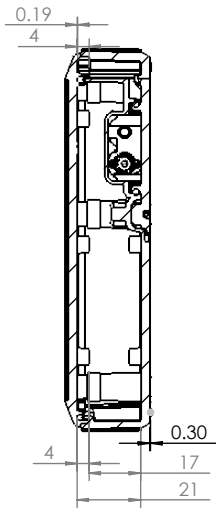
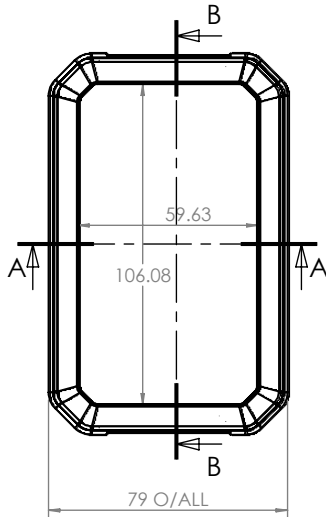
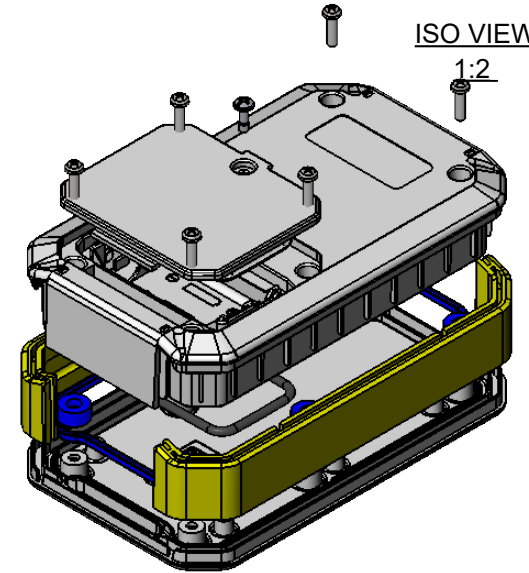


SECTION B-B

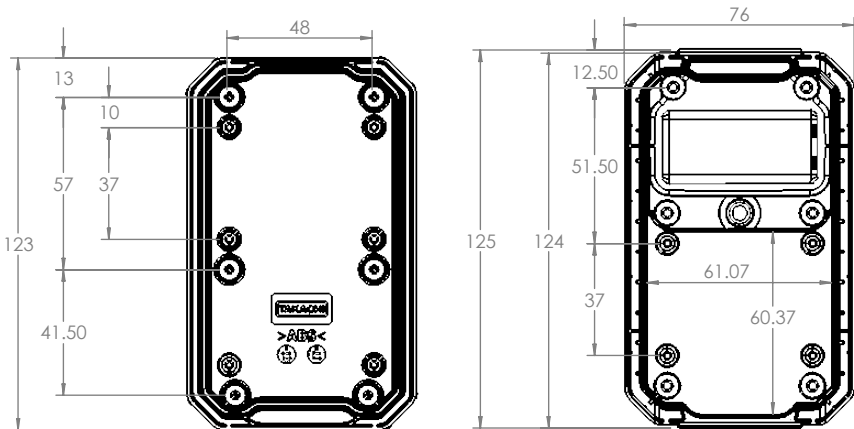
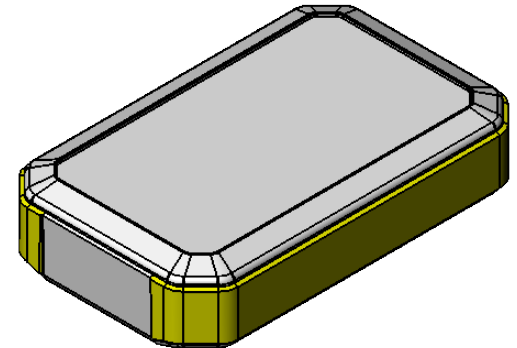
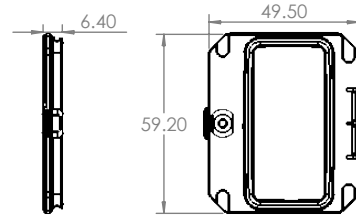
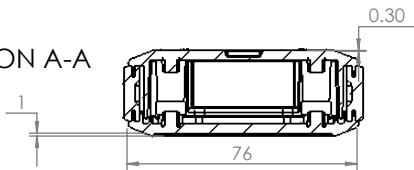




ISO VIEW

1:2



SECTION A-A



 CAMDENBOSS JAMES CARTER RD, MILDENHALL, SUFFOLK. IP28 7DE TEL: 01638 716101 FAX: 01638 716554 EMAIL: Sales@CamdenBoss.com WEB: www.CamdenBoss.com				UNLESS OTHERWISE SPECIFIED: DIMENSIONS ARE IN MILLIMETERS	DO NOT SCALE DRAWING	REVISION. 0
				GENERAL TOLERANCES +/- 0.2	TITLE: 90 SERIES FOR BOX, SIZE 4, 126x79x28	
	FINISH FINE TEXTURE	MATERIAL: ABS UL94-V0		DWG NO. CHH905DWY	A4	
DRAWN I.ALSAHEB	SIGNED IMS	DATE 11/11/17	PROJECTION. 	SCALE: 2:5	SHEET 1 OF 1	
CHK'D DAN SMALLEY	DS	11/11/17				