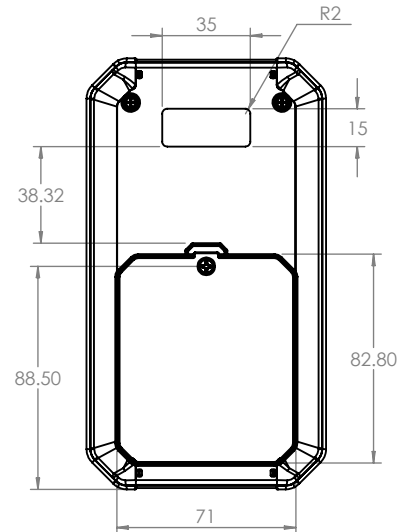
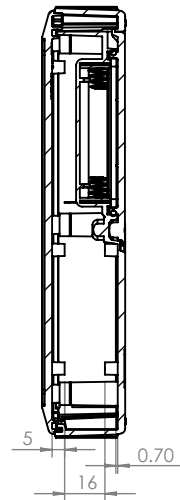
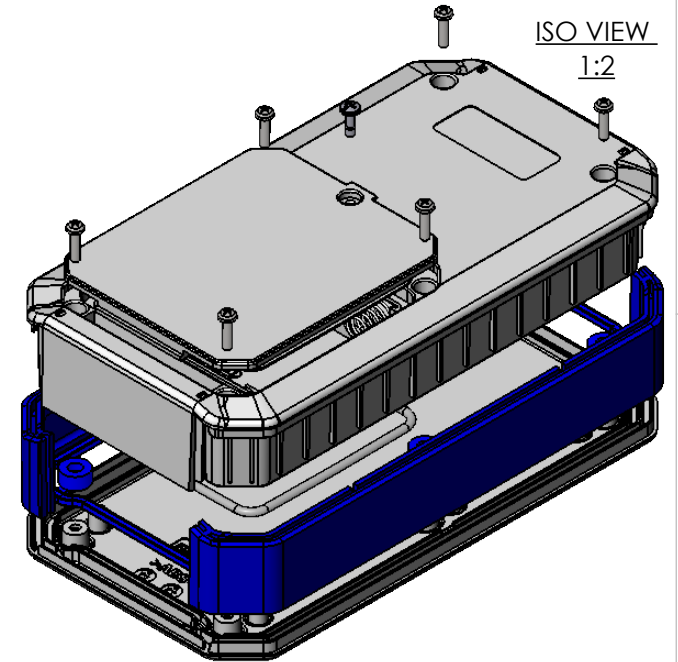


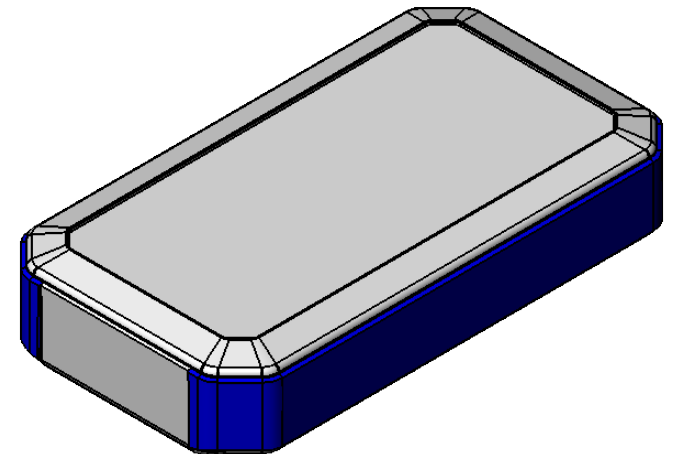
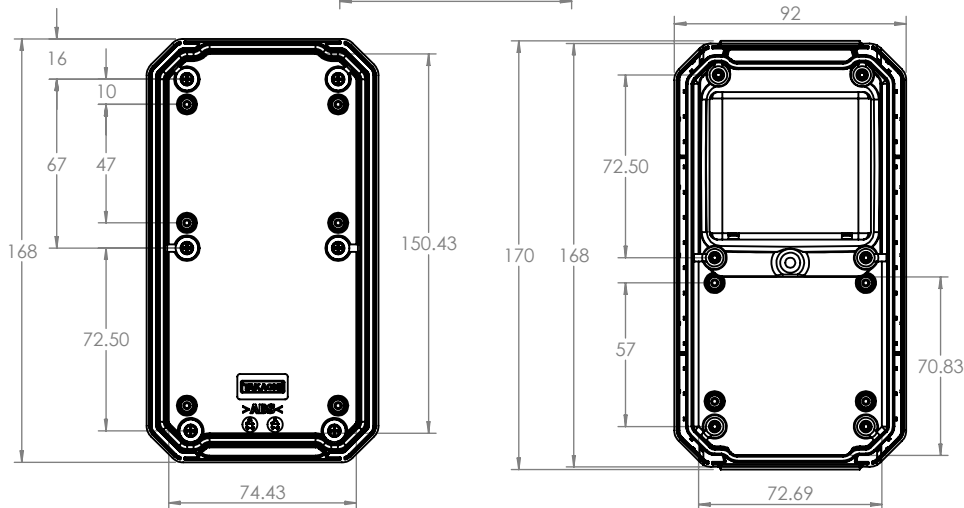
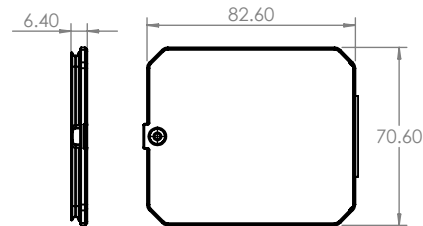
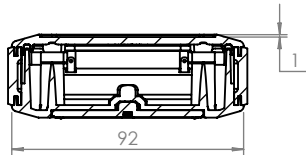
SECTION B-B




ISO VIEW
1:2



SECTION A-A



 CAMDENBOSS JAMES CARTER RD, MILDENHALL, SUFFOLK. IP28 7DE TEL: 01638 716101 FAX: 01638 716554 EMAIL: Sales@CamdenBoss.com WEB: www.CamdenBoss.com				UNLESS OTHERWISE SPECIFIED: DIMENSIONS ARE IN MILLIMETERS	DO NOT SCALE DRAWING	REVISION. O
				GENERAL TOLERANCES +/- 0.2	TITLE: 90 SERIES FOR BOX, SIZE 7, 171x93x33	
FINISH: FINE TEXTURE			MATERIAL: ABS UL94-V0	DWG NO. CHH907FWL	A4	
DRAWN CHKD	NAME I.ALSAHEB DAN SMALLEY	SIGNED IMS DS	DATE 03/10/17 03/10/17	PROJECTION.	SCALE: 2:6	SHEET 1 OF 1