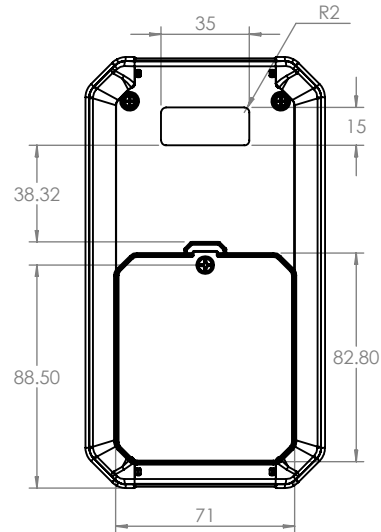
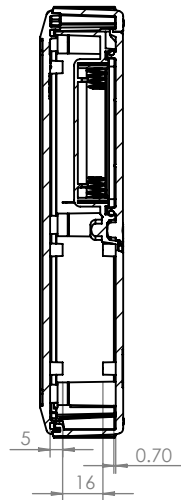
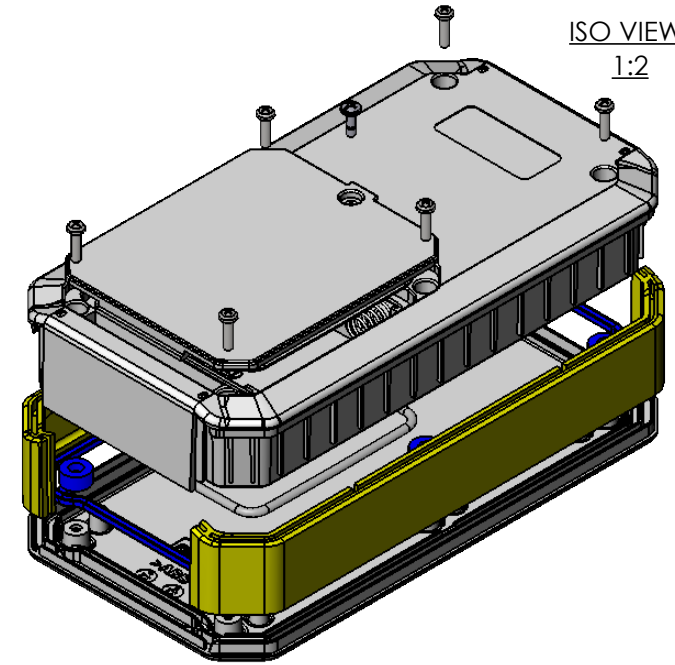


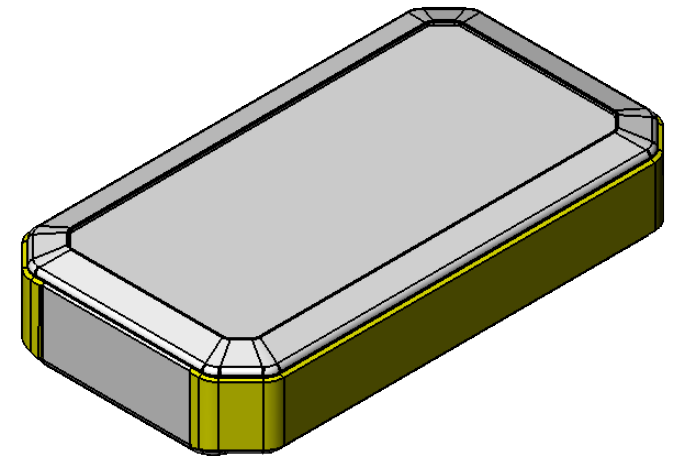
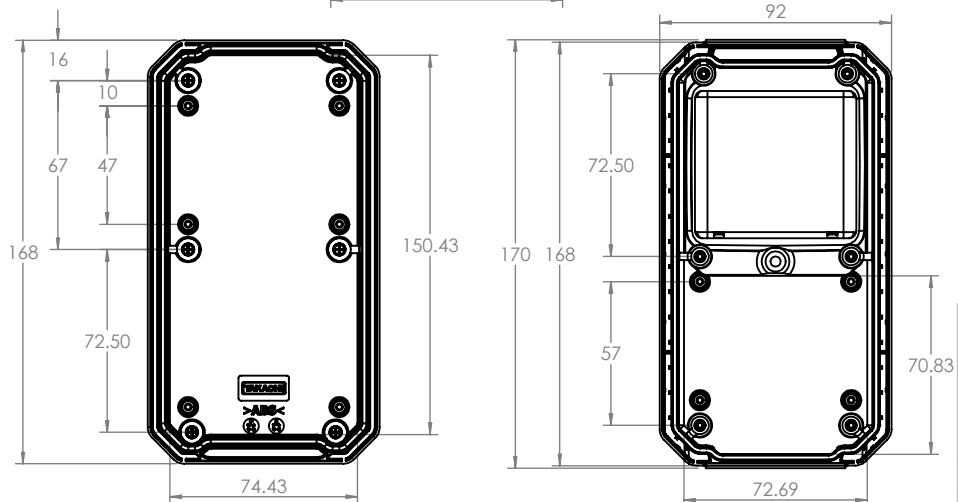
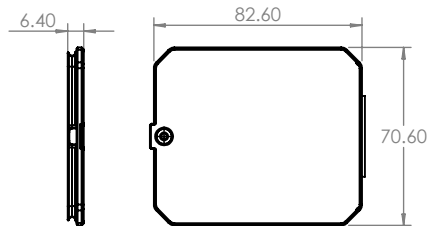
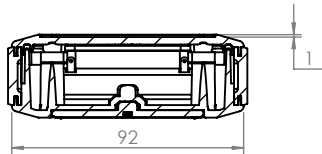
SECTION B-B




ISO VIEW
1:2



SECTION A-A



 CAMDENBOSS JAMES CARTER RD, MILDENHALL, SUFFOLK. IP28 7DE TEL: 01638 716101 FAX: 01638 716554 EMAIL: Sales@CamdenBoss.com WEB: www.CamdenBoss.com				UNLESS OTHERWISE SPECIFIED: DIMENSIONS ARE IN MILLIMETERS		DO NOT SCALE DRAWING		REVISION. 0	
				GENERAL TOLERANCES +/- 0.2		TITLE: 90 SERIES FOR BOX, SIZE 7, 171x93x33			
FINISH: FINE TEXTURE				MATERIAL: ABS UL94-V0		DWG NO. CHH907FWY		A4	
DRAWN	I.ALSAHEB	IMS	03/10/17	PROJECTION.		SCALE: 2:6		SHEET 1 OF 1	
CHK'D	DAN SMALLEY	DS	03/10/17						