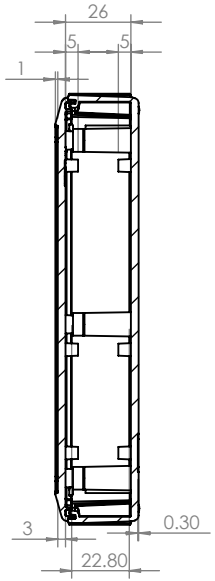
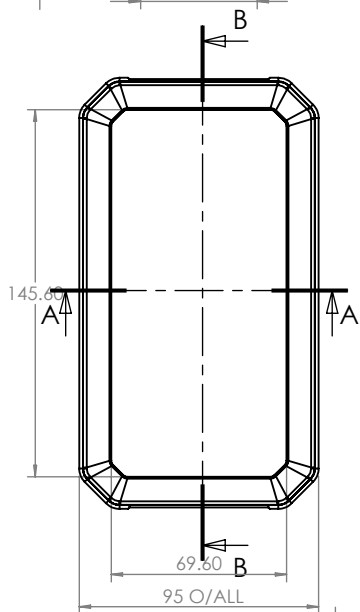
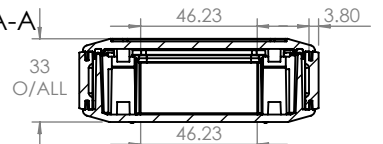
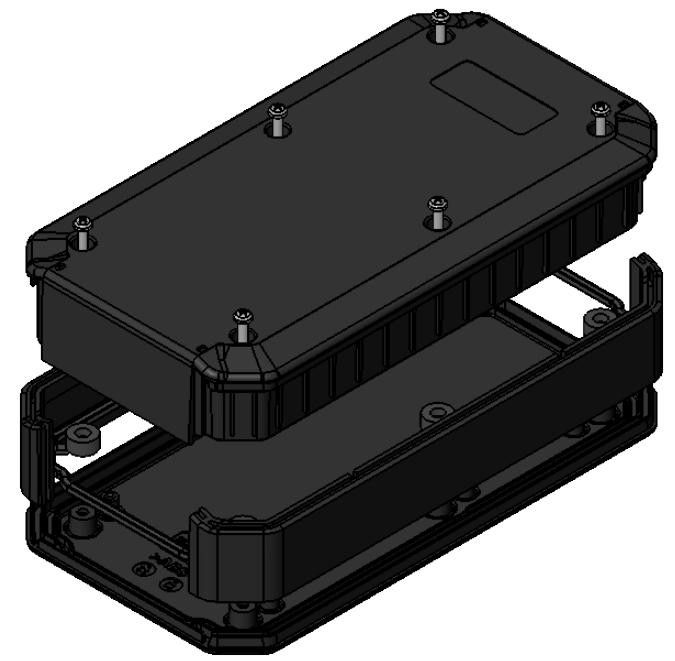
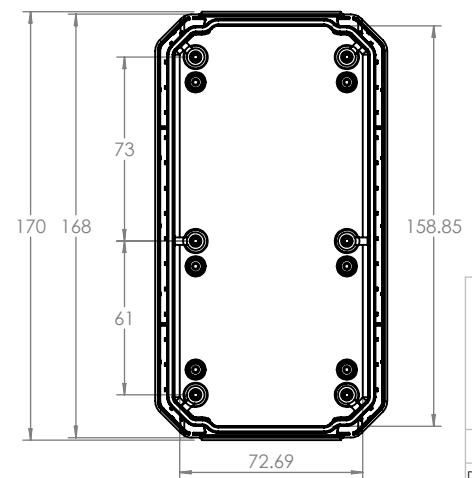
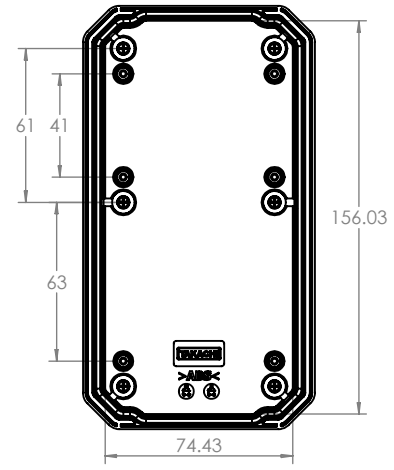
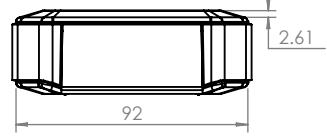
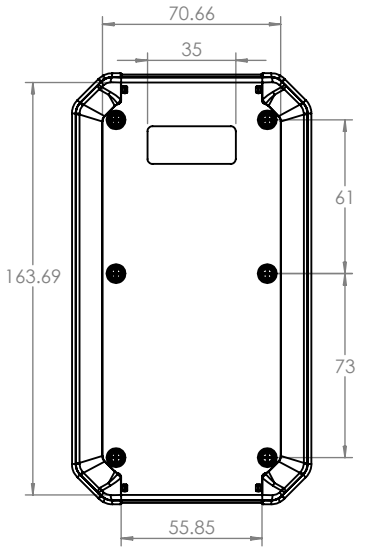



SECTION A-A



SECTION B-B



 CAMDENBOSS JAMES CARTER RD, MILDENHALL, SUFFOLK. IP28 7DE TEL: 01638 716101 FAX: 01638 716554 EMAIL: Sales@CamdenBoss.com WEB: www.CamdenBoss.com				UNLESS OTHERWISE SPECIFIED: DIMENSIONS ARE IN MILLIMETERS	DO NOT SCALE DRAWING	REVISION. 0
				GENERAL TOLERANCES +/- 0.2	TITLE: 90 SERIES FOR BOX, SIZE 7, 171x95x33	
	FINISH: FINE TEXTURE	MATERIAL: ABS UL94-V0	DWG NO. CHH907NBB	A4		
DRAWN I.ALSAHEB	SIGNED IMS	DATE 03/10/17	SCALE: 2:6	SHEET 1 OF 1		
CHK'D DAN SMALLEY	DS	03/10/17	PROJECTION. 