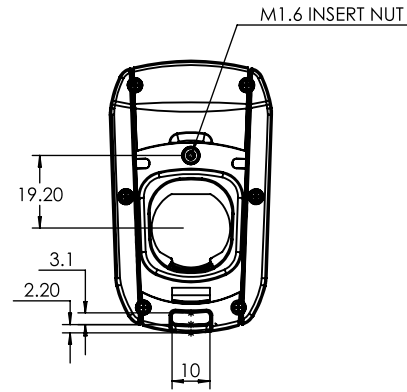
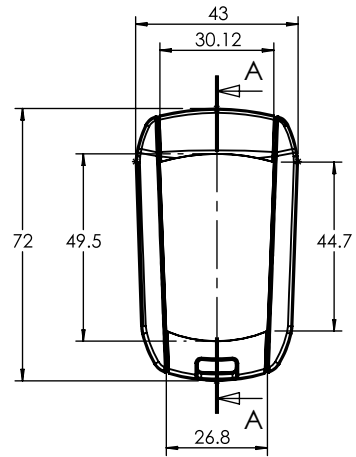
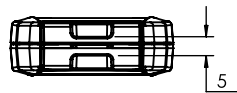
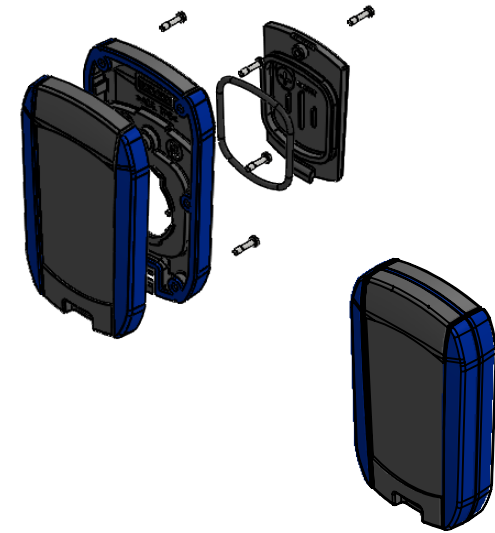


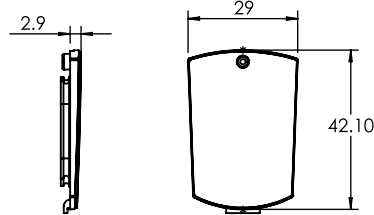
SECTION A-A
SCALE 1 : 2



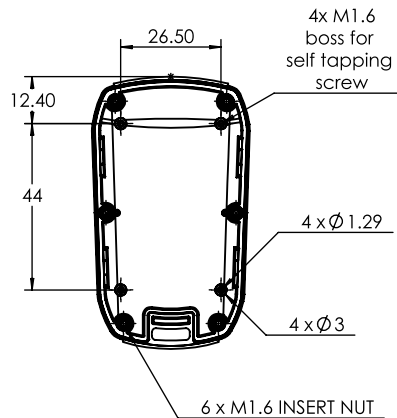
ISO VIEW
1:2



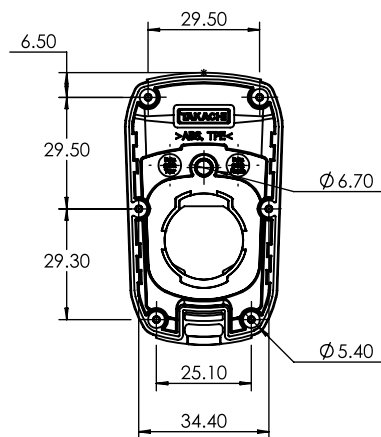
BATTERY LID



TOP COVER



BOTTOM COVER



TECHINCAL DATA

PROTECTION	IP67
OPERATING TEMPERATURE	-10°C ~ +50°C
RECOMMENDED TORQUE	0.06 ~ 0.08Nm
BATTERY COMPARTMENT TYPE	CR2032 x1



CAMDENBOSS

JAMES CARTER RD, MILDENHALL, SUFFOLK. IP28 7DE
TEL: 01638 716101 FAX: 01638 716554
EMAIL: Sales@CamdenBoss.com
WEB: www.CamdenBoss.com

UNLESS OTHERWISE SPECIFIED:
DIMENSIONS ARE IN MILLIMETERS

GENERAL TOLERANCES +/- 0.2

FINISH. LIGHT SPARK

DO NOT SCALE DRAWING

REVISION.

TITLE: DIMENSIONED GENERAL DRAWING FOR
93 SERIES - IP67 PORTABLE CASE SIZE 1
BATTERY COMPARTMENT

	NAME	SIGNED	DATE
DRAWN	IAN PAGANO	I.P.	18/01/16
CHK'D	Alex G.	A.G.	20/09/17

MATERIAL.
BODY - ABS UL 94 - HB
GASKET - SILICONE
PROJECTION.

DWG NO.

CHH931BBL

A4

SCALE: 1:1

SHEET 1 OF 1