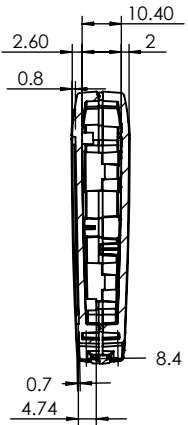
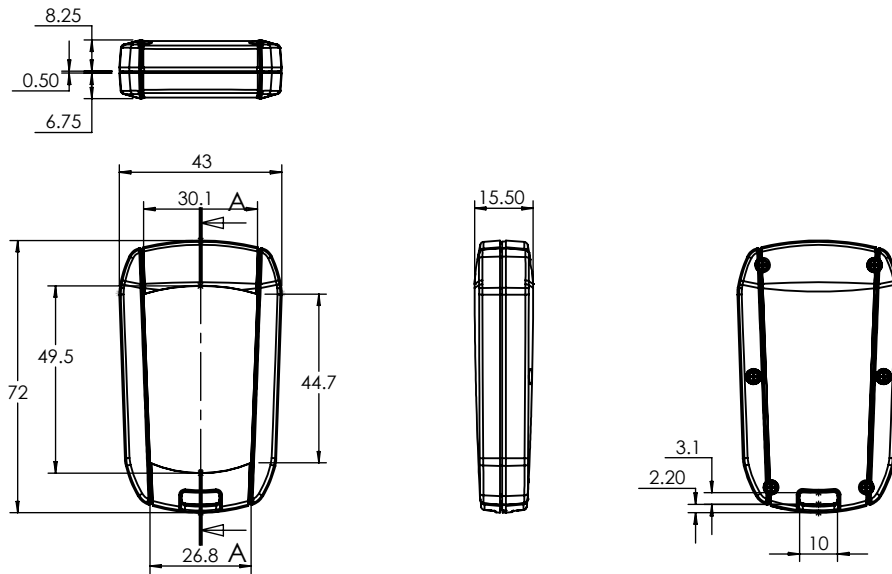
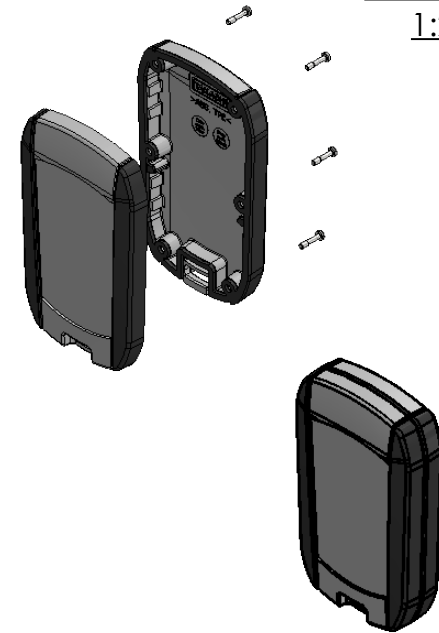
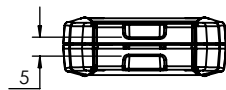


ISO VIEW
1:2

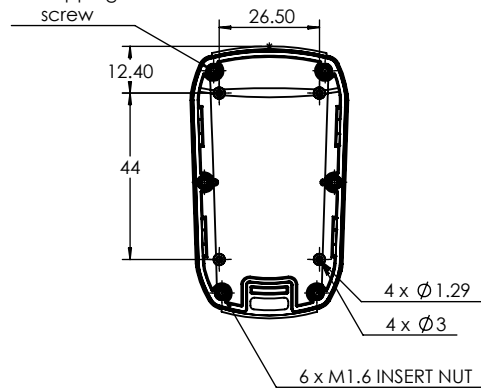


SECTION A-A

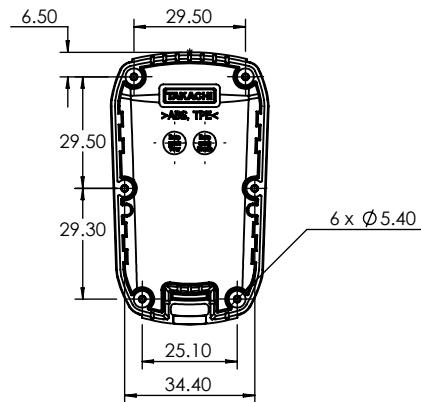


4x M1.6
boss for
self tapping
screw


TOP COVER



BOTTOM COVER



TECHINCAL DATA	
PROTECTION	IP67
OPERATING TEMPERATURE	-10°C ~ +50°C
RECOMMENDED TORQUE	0.06 ~ 0.08Nm

 CAMDENBOSS JAMES CARTER RD, MILDENHALL, SUFFOLK. IP28 7DE TEL: 01638 716101 FAX: 01638 716554 EMAIL: Sales@CamdenBoss.com WEB: www.CamdenBoss.com		UNLESS OTHERWISE SPECIFIED: DIMENSIONS ARE IN MILLIMETERS	DO NOT SCALE DRAWING	REVISION. ○
		GENERAL TOLERANCES +/- 0.2	TITLE: DIMENSIONED GENERAL DRAWING FOR 93 SERIES - IP67 PORTABLE CASE SIZE 1 NO BATTERY COMPARTMENT	
FINISH. LIGHT SPARK		MATERIAL. BODY - ABS UL 94 - HB GASKET - SILICONE	DWG NO.	CHH931N WG
DRAWN	IAN PAGANO	I.P.	18/01/17	A4
CHK'D	ALEX G.	A.G	20/09/17	SCALE: 1:1
PROJECTION.		SHEET 1 OF 1		