

1 2 3 4 5 6

A

B

C

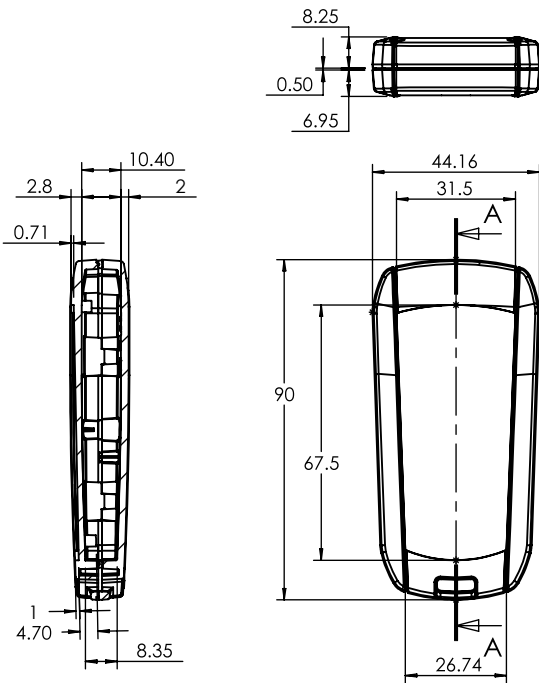
D

A

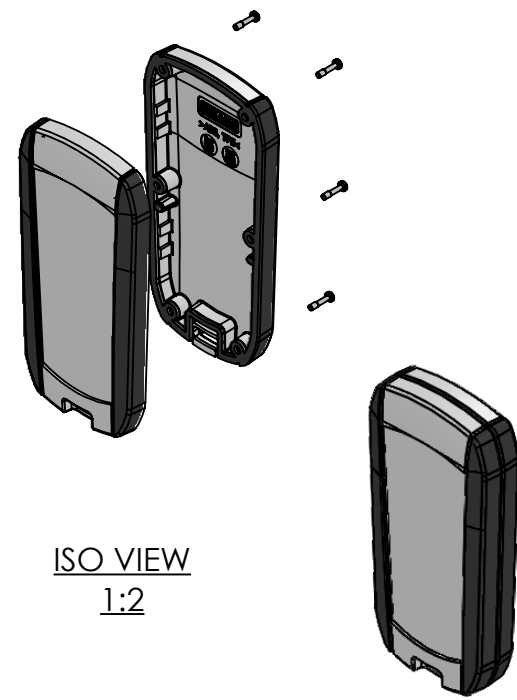
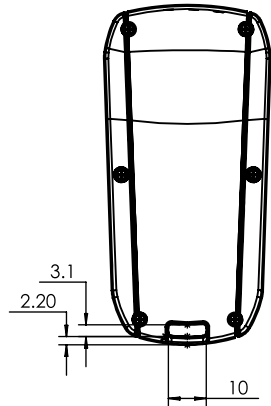
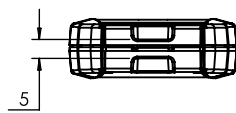
B

C

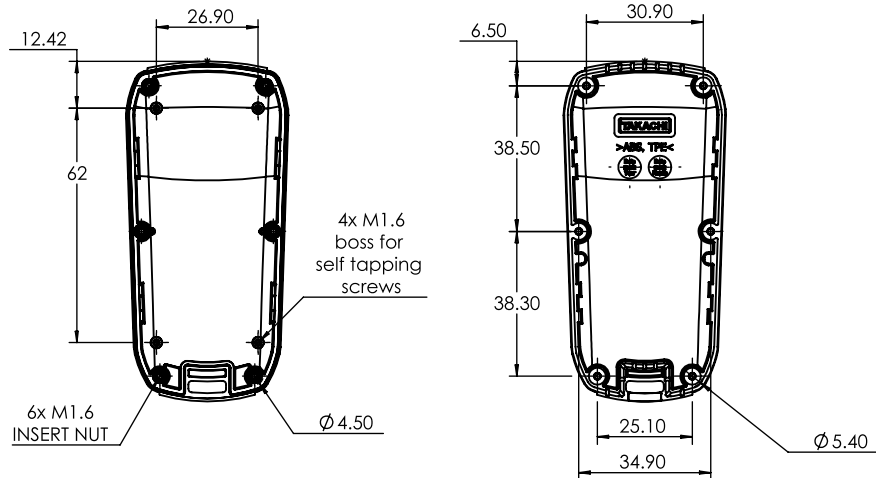
D





SECTION A-A



ISO VIEW
1:2



TECHINICAL DATA	
PROTECTION	IP67
OPERATING TEMPERATURE	-10°C ~ +50°C
RECOMMENDED TORQUE	0.06 ~ 0.08Nm

 CAMDENBOSS JAMES CARTER RD, MILDENHALL, SUFFOLK. IP28 7DE TEL: 01638 716101 FAX: 01638 716554 EMAIL: Sales@CamdenBoss.com WEB: www.CamdenBoss.com				UNLESS OTHERWISE SPECIFIED: DIMENSIONS ARE IN MILLIMETERS		DO NOT SCALE DRAWING		REVISION. <input type="radio"/>	
				GENERAL TOLERANCES +/- 0.2		TITLE: DIMENSIONED GENERAL DRAWING FOR 93 SERIES - IP67 PORTABLE CASE SIZE 2 NO BATTERY COMPARTMENT			
FINISH. LIGHT SPARK				MATERIAL: BODY - ABS UL 94 - HB GASKET - SILICONE		DWG. NO.		A4	
DRAWN	IAN PAGANO	I.P.	01/02/17	PROJECTION. 		SCALE: 1:2		SHEET 1 OF 1	
CHK'D	Alex G.	A.G.	20/09/17			CHH932NWG			

1 2 3 4 5 6