

OVERALL ASSEMBLY DIMENSIONS:

EXTERNALS - 104.5 x 61.3 x 27.5

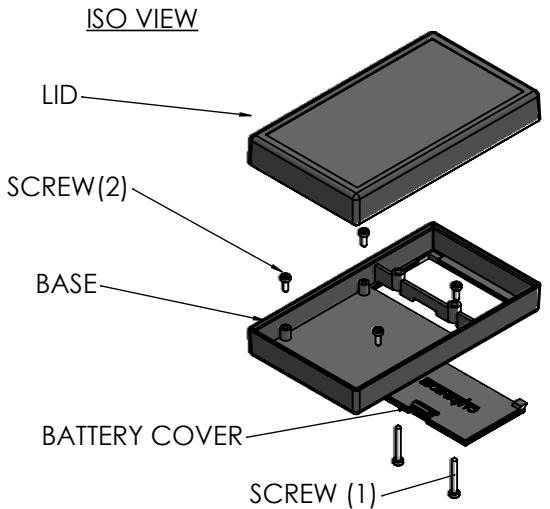
INTERNALS - 99 x 56 x 22



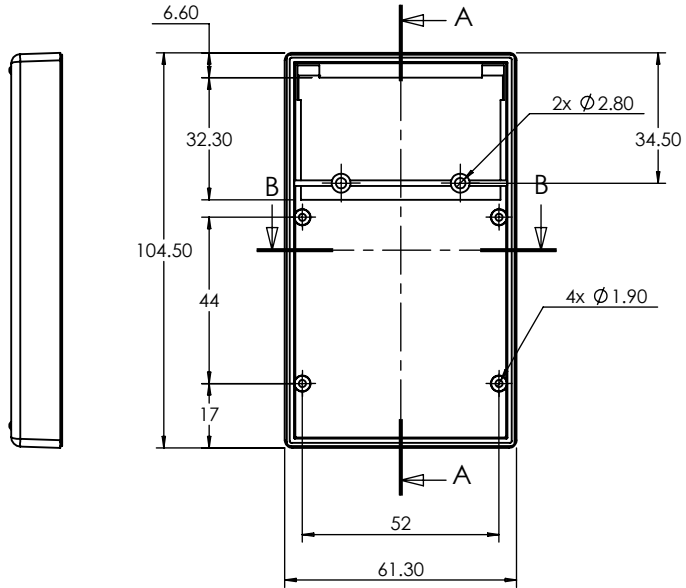
SECTION B-B



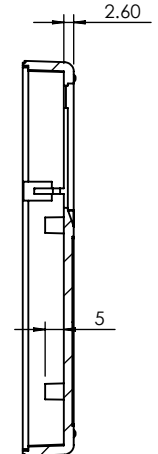
SECTION C-C



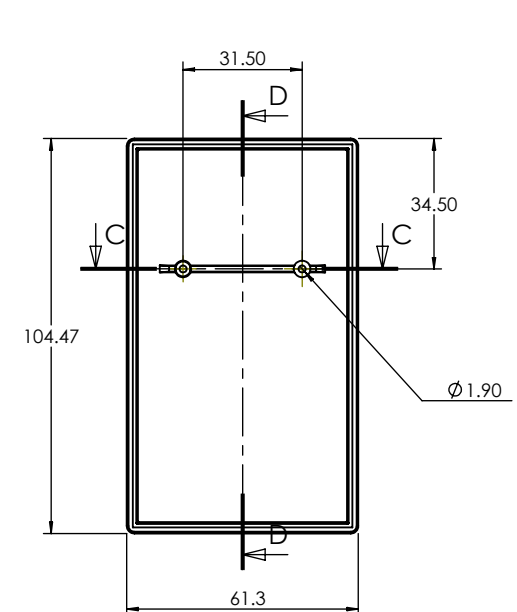
ISO VIEW



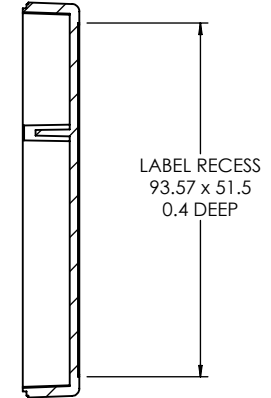
BASE



SECTION A-A





LID



SECTION D-D

LABEL RECESS  
93.57 x 51.5  
0.4 DEEP

- (1) 2x UNIT ASSEMBLY SCREW
- (2) 4x INTERNAL MOUNTING SCREW

 <b>CAMDENBOSS</b> JAMES CARTER RD, MILDENHALL, SUFFOLK, IP28 7DE TEL: 01638 716101 FAX: 01638 716554 EMAIL: Sales@CamdenBoss.com WEB: www.CamdenBoss.com				UNLESS OTHERWISE SPECIFIED: DIMENSIONS ARE IN MILLIMETERS		DO NOT SCALE DRAWING		REVISION. 0	
				FINISH. <b>SMOOTH</b>		TITLE: <b>Dimension Drawing For 2910 Series Mobile Case Size 1 Grey</b>			
DRAWN IAN PAGANO		SIGNED I.P.	DATE 18/07/13	MATERIAL. <b>ABS</b>		DWG NO. <b>CHHMC01GY</b>		A4	
CHK'D -		-	-	PROJECTION. 		SCALE: 1 : 2		SHEET 1 OF 1	