

OVERALL ASSEMBLY DIMENSIONS:

EXTERNAL - 144.5 x 80 x 34

INTERNAL 138.5 x 74 x 28

(1) 4x UNIT ASSEMBLY SCREW

(2) 5x INTERNAL MOUNTING SCREWS

BATTERY COVER

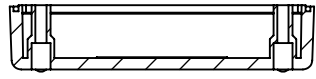
SCREW (1)

LID

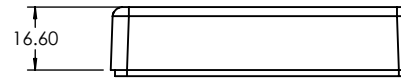
SCREW (2)

BASE

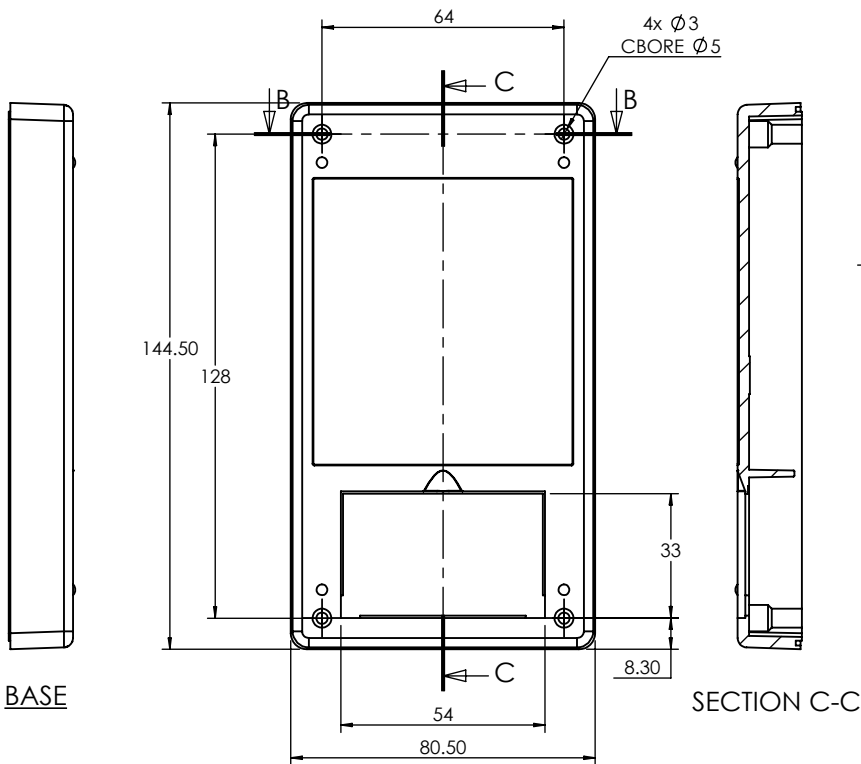
ISO VIEW
1:3



SECTION B-B

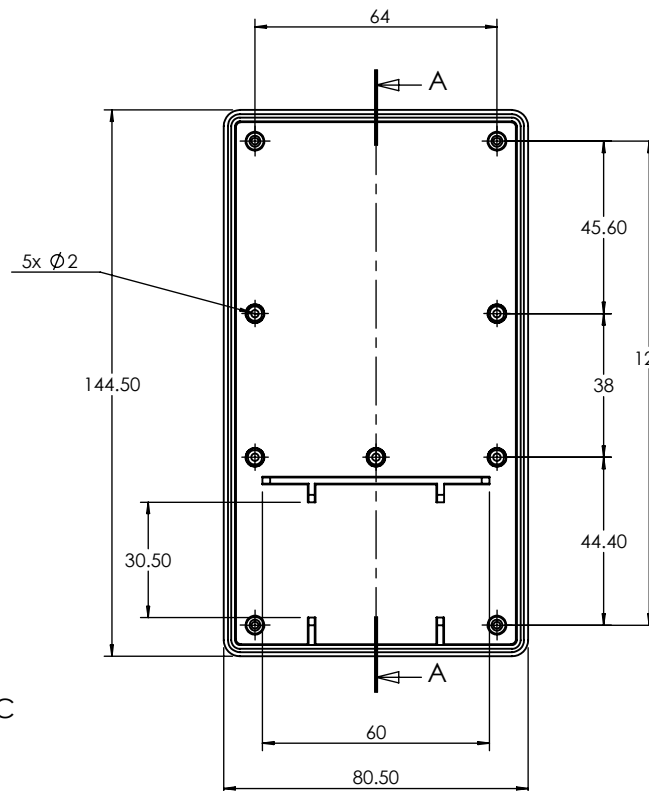


16.60



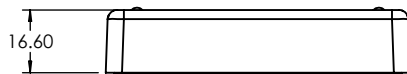
BASE

SECTION C-C




SECTION A-A
SCALE 1 : 2

LID



16.60

 CAMDENBOSS JAMES CARTER RD, MILDENHALL, SUFFOLK. IP28 7DE TEL: 01638 716101 FAX: 01638 716554 EMAIL: Sales@CamdenBoss.com WEB: www.CamdenBoss.com				UNLESS OTHERWISE SPECIFIED: DIMENSIONS ARE IN MILLIMETERS		DO NOT SCALE DRAWING		REVISION. ○	
				GENERAL TOLERANCES +/- 0.2		TITLE: Dimension drawing for 2910 Series Mobile Case Size 2 Grey			
FINISH. LIGHT SPARK		MATERIAL. ABS		DWG NO. CHHMC02GY		A4			
DRAWN	IAN PAGANO	SIGNED	I.P.	DATE	19/07/13	SCALE: 1 : 2		SHEET 1 OF 1	
CHK'D	MATTHEW WALLACE	M.J.W.		19/07/13					