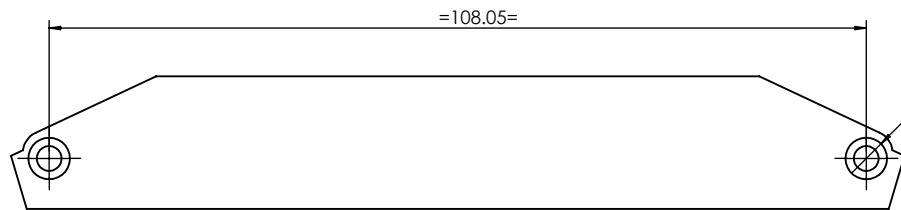
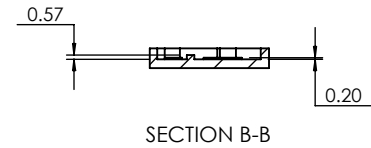
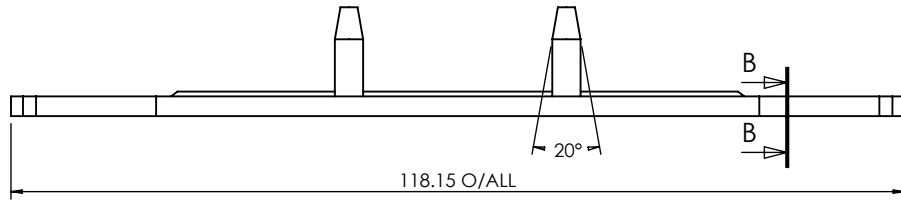
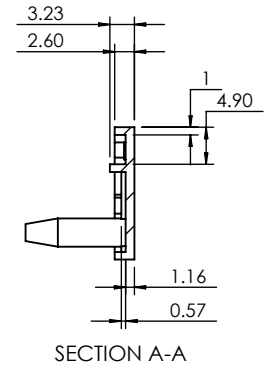
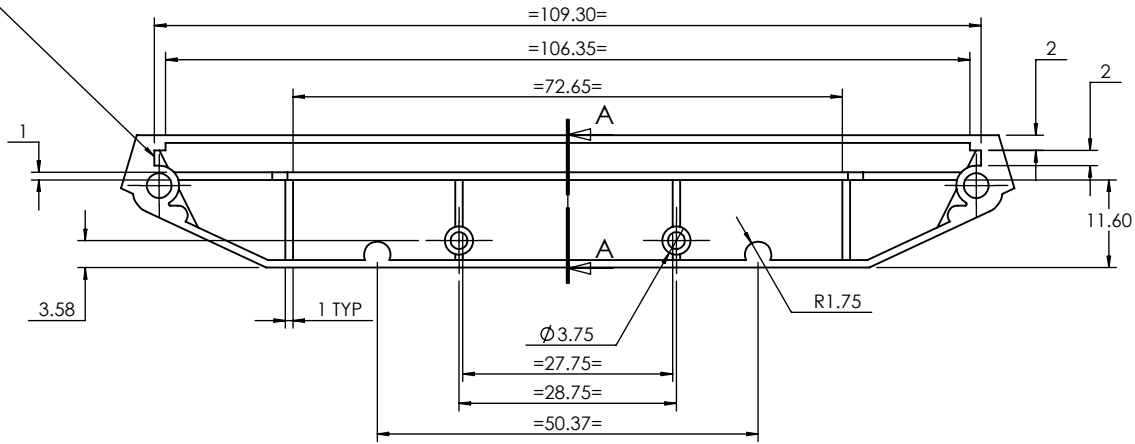
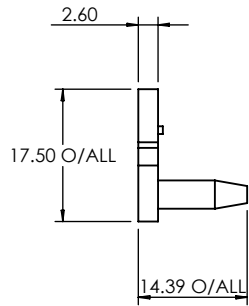
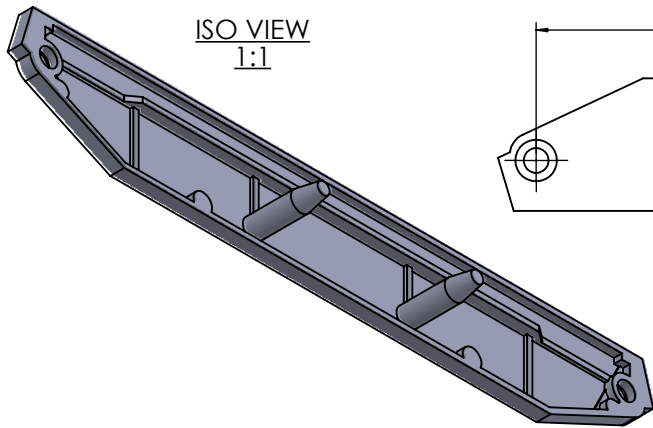




INCREASED PCB SLOT



ISO VIEW
1:1



FOR QUOTATION ONLY

 CAMDENBOSS JAMES CARTER RD, MILDENHALL, SUFFOLK. IP28 7DE TEL: 01638 716101 FAX: 01638 716554 EMAIL: Sales@CamdenBoss.com WEB: www.CamdenBoss.com		UNLESS OTHERWISE SPECIFIED: DIMENSIONS ARE IN MILLIMETERS	DO NOT SCALE DRAWING	REVISION. ○
		GENERAL TOLERANCES +/- 0.2	TITLE: DRAWING FOR CIME-E-EC0000E	
DRAWN IAN PAGANO		SIGNED I.P.	DATE 13/06/2014	MATERIAL. PA UL 90 - V0
CHK'D -		-		PROJECTION. 
DWG NO. CIME-E-EC0000E			SCALE: 1:1	A4
SHEET 1 OF 1				