

INTERFACE MODULES & SUPPORTS

Euro series 107mm Empty Extruded Interface Support

- Suitable for 107mm width PCB's
- Snap fit Din Rail mounting fixtures
- Available in pre-cut lengths up to 2 metres
- Terminal blocks available in same colour
- Base is moulded in PVC
- End caps and feet are moulded in green UL94-V0 flame retardant PA

CIME/E/E



TYPE NO.	DESCRIPTION
CIME/E/BE2000E	2m Extruded base element
CIME/E/EC0000E	End cover
CIME/E/SCREWE	Fixing screws for end covers
CIME/E/FE0000E	Foot element
CIM107/xxxx/E*	Complete module

*To specify complete modules (cut to length with feet and one end pre-assembled) use pcb length minus 4mm as xxxx, eg. CIM107/126/E is a module for a 130mm pcb, one end and two feet fitted, supplied with one loose end and two screws.

NB. Cutting tolerance is -0 +0.5mm.

Unless otherwise specified, the number of feet supplied is as follows:

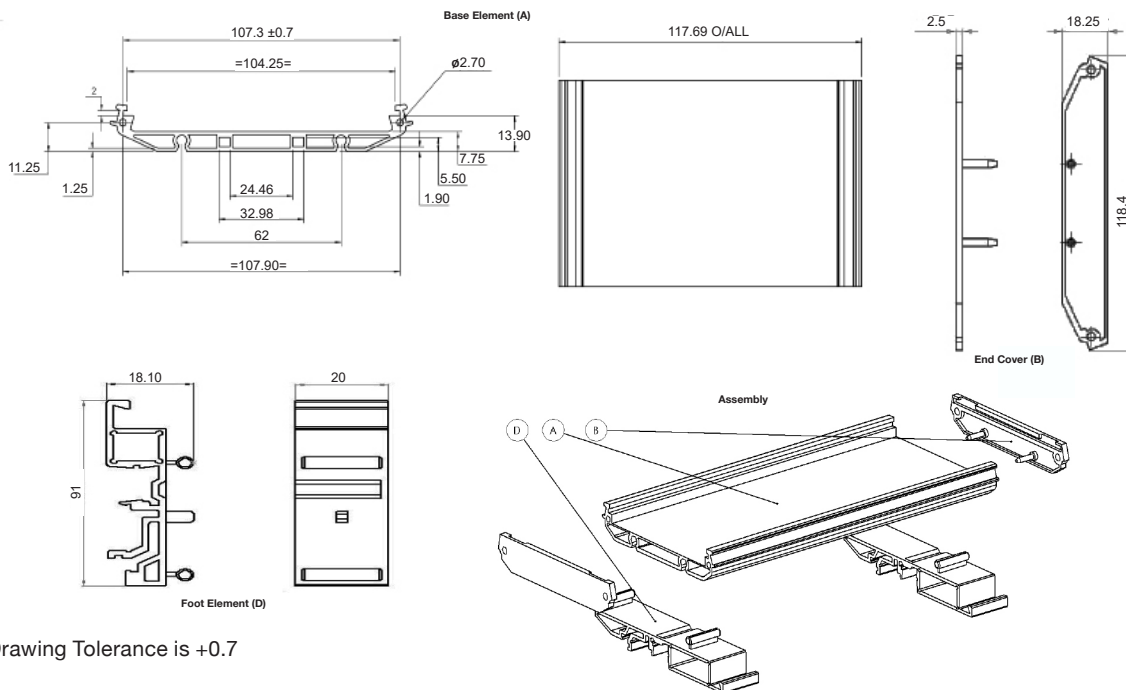
Length	No of feet
16-50mm	1
51-150mm	2
151-300mm	3
301-500mm	4
501-750mm	5

Complete Modules

- Cut to length base element
- One end & feet supplied pre-assembled
- One end & screws supplied loose

LENGTH	NO. OF FEET	TYPE NO.	DESCRIPTION
16-50mm	1	CIM107/xxxx/E	Complete module
51-150mm	2		
151-300mm	3		
301-500mm	4		
501-750mm	5		
751-999mm	6		

xxxx = PCB length required minus 4mm
e.g CIM107/126/E
for complete module PCB length 130



• Drawing Tolerance is +0.7



+44 (0)1638 716101
info@camdenboss.com
www.camdenboss.com

We operate a constant improvement policy, our products are subject to change without notice.

Ver 1.4
Iss 1



PCB
TERMINAL
BLOCKS

INTER-
CONNECTION

FUSES &
FUSE-
HOLDERS

LEDs &
INDICATORS

MINIATURE
SWITCHES

LIMIT &
SAFETY
SWITCHES

CONTROL
PRODUCTS

INTERFACE
MODULES &
SUPPORTS

RELAY
BASES

DIN RAIL
ENCLOSURES

BATTERIES

SOLAR
PANELS

TRANS-
FORMERS