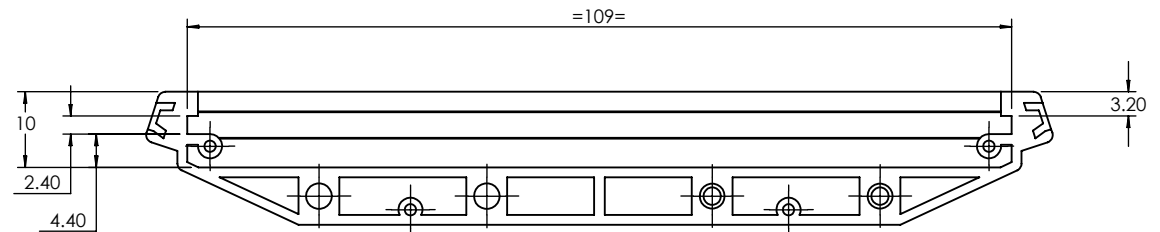
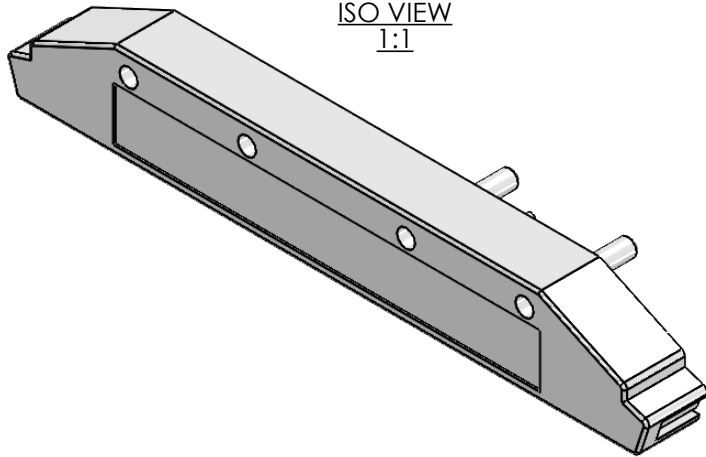



ISO VIEW
1:1



 CAMDENBOSS JAMES CARTER RD, MILDENHALL, SUFFOLK. IP28 7DE TEL: 01638 716101 FAX: 01638 716554 EMAIL: Sales@CamdenBoss.com WEB: www.CamdenBoss.com				UNLESS OTHERWISE SPECIFIED: DIMENSIONS ARE IN MILLIMETERS	DO NOT SCALE DRAWING	REVISION. ○	
				GENERAL TOLERANCES +/- 0.2	TITLE: DIMENSIOND DRAWING FOR CIME/E/SE1000S		
DRAWN	NAME IAN PAGANO	SIGNED I.P.	DATE 10/04/14	FINISH. GLOSS	MATERIAL. PA UL - 94 V0	DWG NO. CIME,E,SE1000S	A4
CHK'D	-	-	-	PROJECTION. 	SCALE: 1:1	SHEET 1 OF 1	