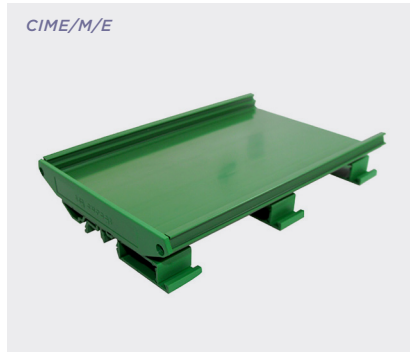




Mini series 72mm empty extruded interface supports

Product overview

- Suitable for 72mm width PCB's
- Snap fit DIN Rail mounting fixtures
- Available in pre-cut lengths up to 2 metres
- Terminal blocks available in same colour
- Base is moulded in PVC
- End caps and feet are moulded in green UL94-V0 flame retardant PA



Complete modules

- Cut to length base element
- One end and feet supplied pre-assembled
- One end and screws supplied loose

PART NO.	DESCRIPTION
CIM72/xxxx/E	Complete module

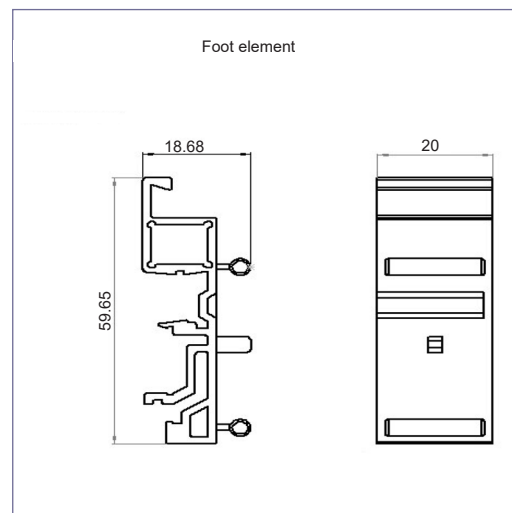
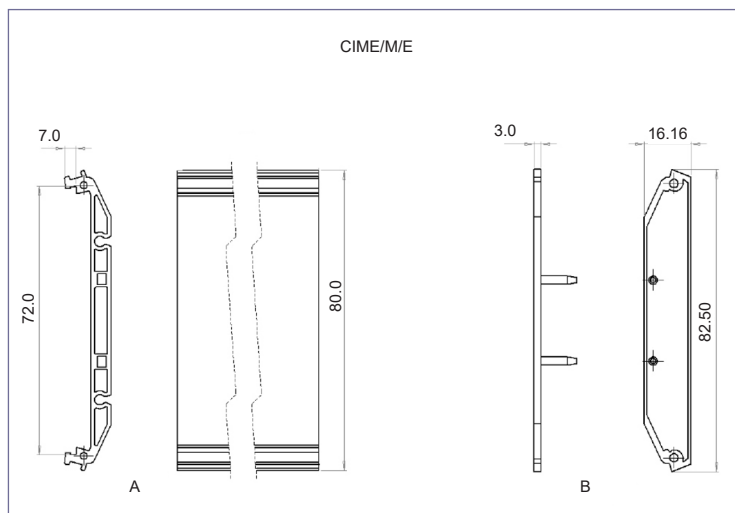
LENGTH	NO. OF FEET
16-50mm	1
51-150mm	2
151-300mm	3
301-500mm	4
501-750mm	5
751-999mm	6

PART NO.	DESCRIPTION
CIME/M/BE2000E	2m Extruded base element
CIME/M/EC0000E	End cover
CIME/M/SCREWE	Fixing screws for end covers
CIME/M/FE0000E	Foot element
CIM72/xxxx/E*	Complete module

*To specify complete modules use pcb length minus 4mm as xxxx, eg. CIM72/126/E is a module for a 130mm pcb. One end and two feet fitted, supplied with one loose end and two screws.

NB. Cutting tolerance is -0 +0.5mm.

Unless otherwise specified, the number of feet supplied are shown below.



002
PCB TERMINAL
BLOCKS

081
TERMINAL STRIPS

095
WIRE TO BOARD
CONNECTORS

100
CIRCULAR
CONNECTORS

151
IP68 CONNECTORS

158
INTERFACE
MODULES AND
RELAY BASES

CONNECT



FM 28614