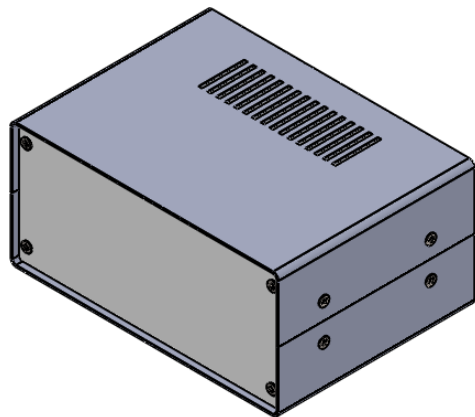




ISO VIEW
1:3



SECTION B-B

 CAMDENBOSS JAMES CARTER RD, MILDENHALL, SUFFOLK. IP28 7DE TEL: 01638 716101 FAX: 01638 716554 EMAIL: Sales@CamdenBoss.com WEB: www.CamdenBoss.com				UNLESS OTHERWISE SPECIFIED: DIMENSIONS ARE IN MILLIMETERS		DO NOT SCALE DRAWING		REVISION. ○	
				GENERAL TOLERANCES +/- 0.2		TITLE: DIMENSION DRAWING FOR METAL CONSOL BOX SIZE 1			
FINISH.		SHELL: RAL: 9010 FRONT + BACK: SILVER ANODIZED		MATERIAL.		SHELL: STEEL FRONT + BACK: ALLUMINIUM		DWG NO. CMCB00001	
DRAWN		IAN PAGANO		SIGNED		I.P.		DATE 06/03/14	
CHK'D		-		-		-		PROJECTION. 	
						SCALE: 1:3		SHEET 1 OF 1	
								A4	