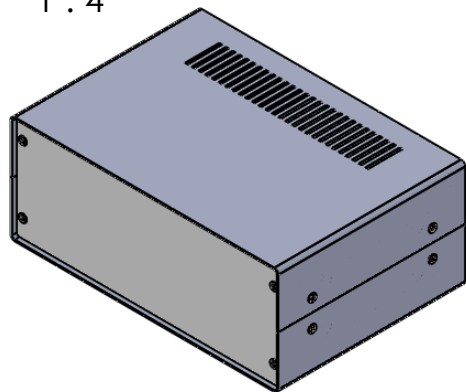




ISO VIEW  
1:4



 <b>CAMDENBOSS</b> JAMES CARTER RD, MILDENHALL, SUFFOLK. IP28 7DE TEL: 01638 716101 FAX: 01638 716554 EMAIL: Sales@CamdenBoss.com WEB: www.CamdenBoss.com				UNLESS OTHERWISE SPECIFIED: DIMENSIONS ARE IN MILLIMETERS		DO NOT SCALE DRAWING		REVISION. <input type="checkbox"/>			
				GENERAL TOLERANCES +/- 0.2		TITLE: <b>DIMENSION DRAWING FOR METAL CONSOL BOX SIZE 2</b>					
DRAWN		NAME		SIGNED		DATE		MATERIAL.		DWG NO.	
IAN PAGANO		I.P.		06/03/14		SHELL: STEEL FRONT + BACK: ALLUMINIUM		SHELL RAL: 9010 FRONT + BACK: SILVER ANODIZED		<b>CMCB00002</b>	
CHKD		-		-		-		PROJECTION. 		SCALE: 1:3	
										SHEET 1 OF 1	

A4