

1 2 3 4 5 6

A

A

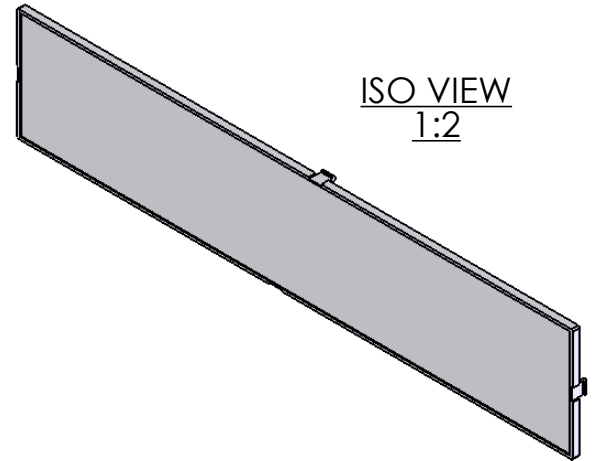
B

B

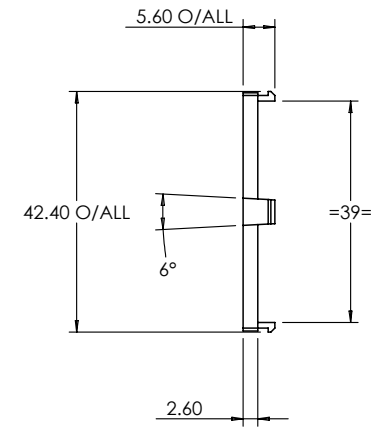
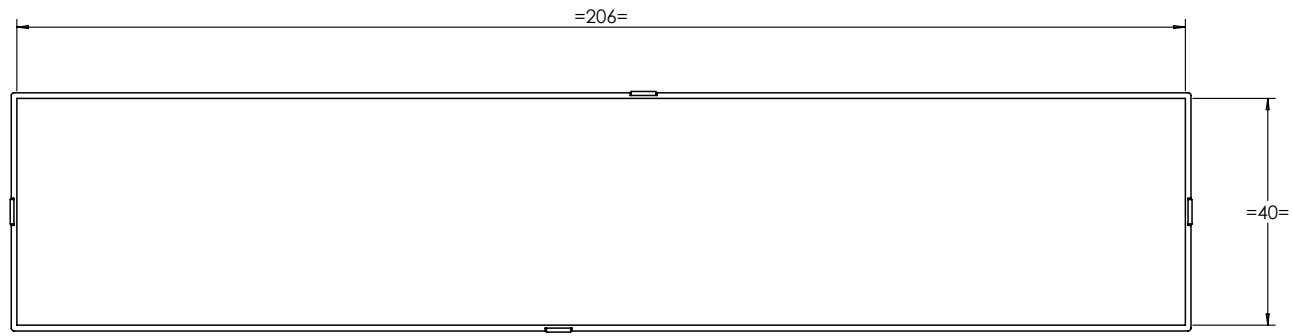
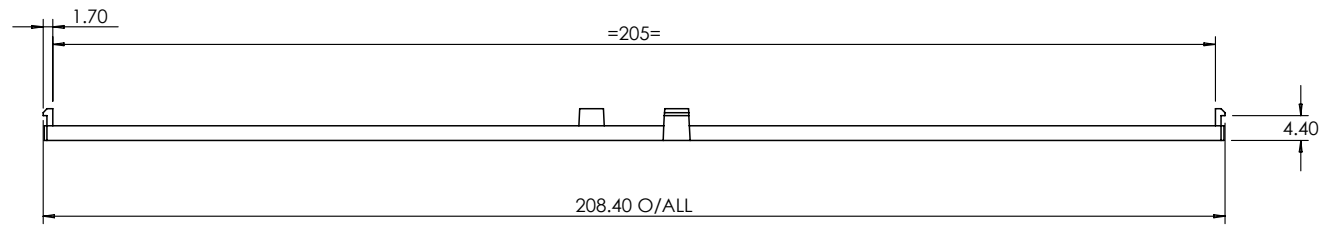
C

C

D



ISO VIEW  
1:2



**CAMDENBOSS**

JAMES CARTER RD, MILDENHALL, SUFFOLK. IP28 7DE  
TEL: 01638 716101 FAX: 01638 716554  
EMAIL: Sales@CamdenBoss.com  
WEB: www.CamdenBoss.com

UNLESS OTHERWISE SPECIFIED:  
DIMENSIONS ARE IN MILLIMETERS

DO NOT SCALE DRAWING

REVISION.

GENERAL TOLERANCES +/- 0.2

TITLE:  
**DIMENSION DRAWING FOR  
CNMB/12/PG**

FINISH. GLOSS

DWG NO. **CNMB-12-PG**

A4

	NAME	SIGNED	DATE
DRAWN	IAN PAGANO	I.P.	20/06/14
CHK'D	-	-	-

MATERIAL. PC UL 94 - V0

PROJECTION.

SCALE: 1:5

SHEET 1 OF 1

1 2 3