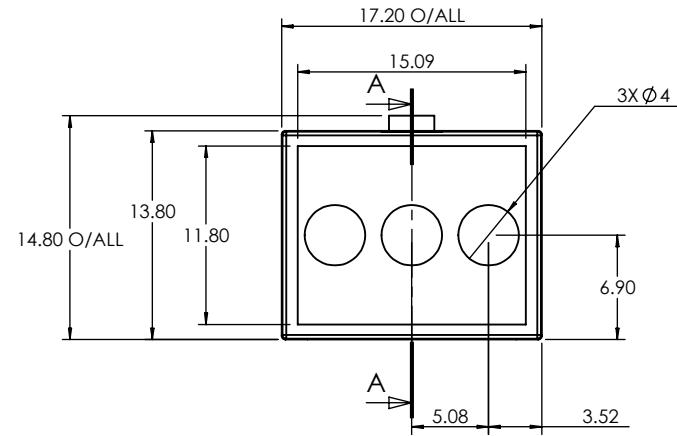
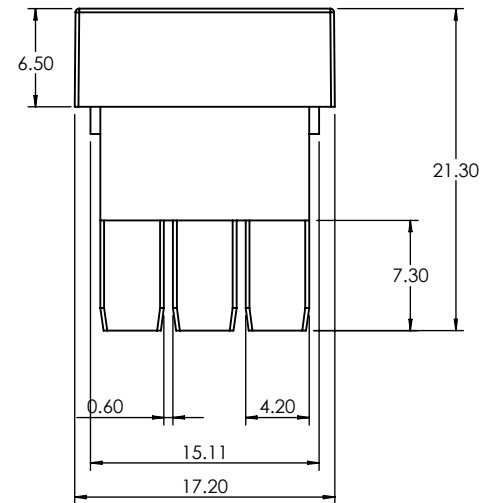
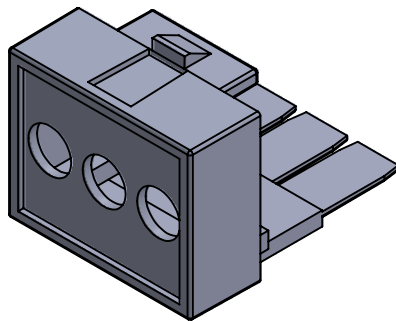




SECTION A-A



ISO VIEW
2:1



 CAMDENBOSS JAMES CARTER RD, MILDENHALL, SUFFOLK. IP28 7DE TEL: 01638 716101 FAX: 01638 716554 EMAIL: Sales@CamdenBoss.com WEB: www.CamdenBoss.com				UNLESS OTHERWISE SPECIFIED: DIMENSIONS ARE IN MILLIMETERS	DO NOT SCALE DRAWING	REVISION. <input type="radio"/>
				GENERAL TOLERANCES +/- 0.2	TITLE: DIMENSION DRAWING FOR CNMB-1-TG508P	
			MATERIAL: PC UL - 94 V0	DWG NO. CNMB-1-TG508	A4	
DRAWN	IAN PAGANO	SIGNED	I.P.	DATE	11/03/14	
CHKD	-		-		-	
PROJECTION. 				SCALE: 2:1	SHEET 1 OF 1	