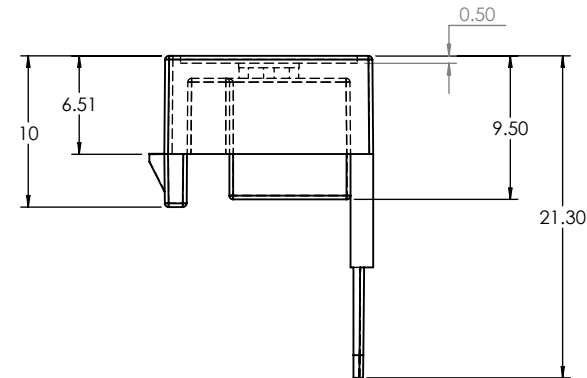
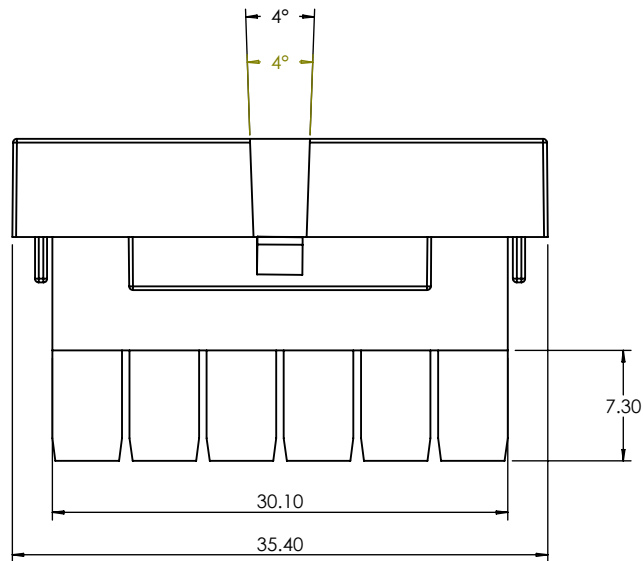




ISO VIEW
2:1



 CAMDENBOSS JAMES CARTER RD, MILDENHALL, SUFFOLK. IP28 7DE TEL: 01638 716101 FAX: 01638 716554 EMAIL: Sales@CamdenBoss.com WEB: www.CamdenBoss.com				UNLESS OTHERWISE SPECIFIED: DIMENSIONS ARE IN MILLIMETERS	DO NOT SCALE DRAWING	REVISION. ○
				GENERAL TOLERANCES +/- 0.2	TITLE: DIMENSION DRAWING FOR CNMB/2/TG508P	
DRAWN	NAME IAN PAGANO	SIGNED I.P.	DATE 23/06/14	MATERIAL. PA UL 94 - V0	DWG NO. cnmb-2-TG508P	A4
CHK'D	-	-	-	PROJECTION. 	SCALE: 2:1	SHEET 1 OF 1