
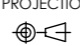
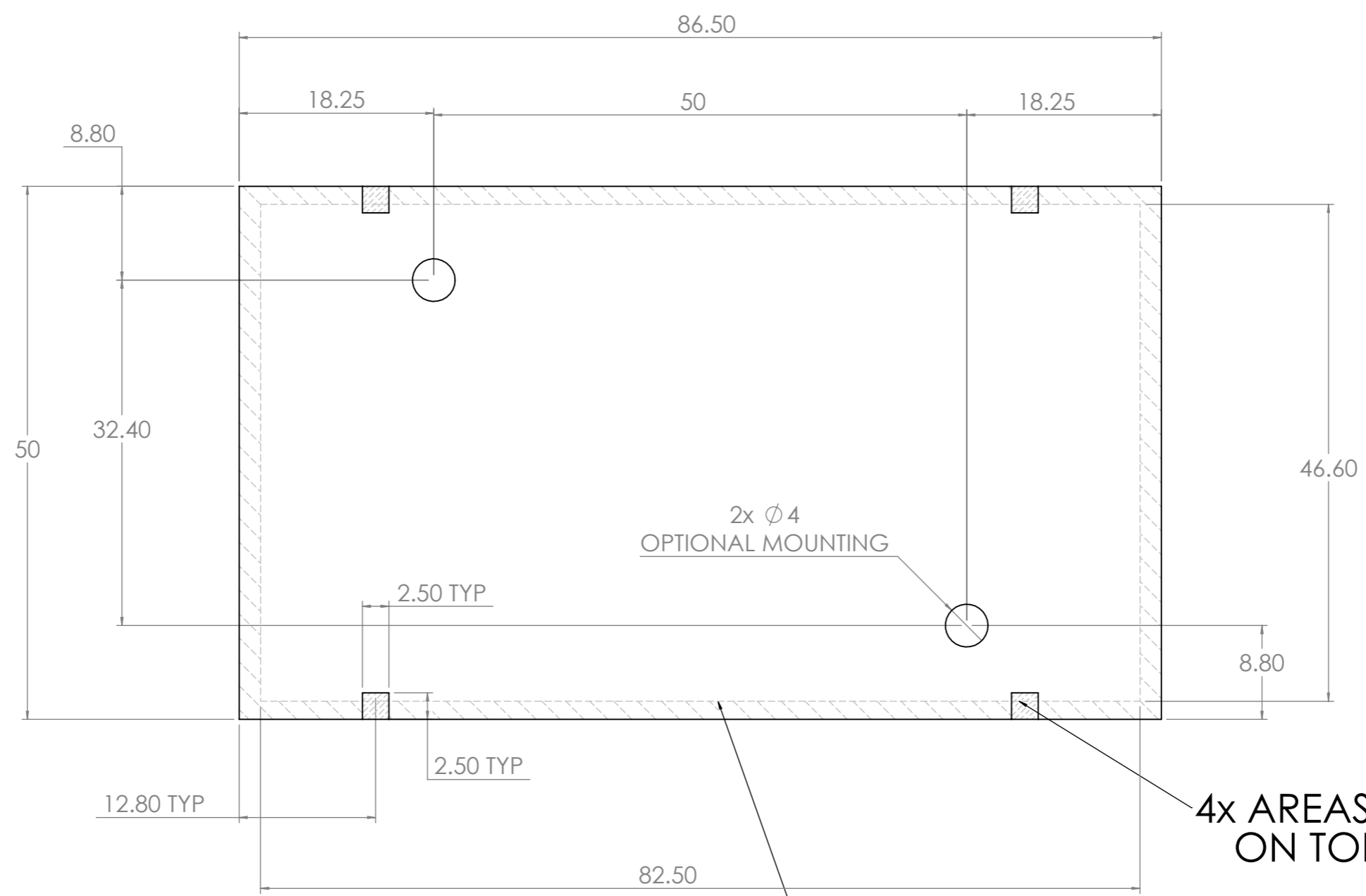


-				-		 CAMDENBOSS CONNECT. ENCLOSE. INNOVATE.	COLOUR:	DEBURR AND BREAK SHARP EDGES	DO NOT SCALE DRAWING	SCALE:
-				-			FINISH:	TITLE: GNL ASSY & PCB DRG FOR CNMB SERIES SIZE 3		2:3
A	07.01.20	000-732	COMPONENT FREE AREAS ADDED TO PCB DRAWINGS & COMBINED IN MAIN GA DRAWING	S.HARDINGE	I.PAGANO	DRAWING UNITS: MILLIMETERS TOLERANCES: +/-0.2	PROJECTION 	MATERIAL:	DWG NO.	A3 SHEET 1 OF 6
O	11.01.13	-	-	J.JACOBS	-				CNMB-3-2	
REVISION	DATE	ECR	DESCRIPTION	NAME	CHK'D					

VIEWED FROM TOP OF ENCLOSURE AND PCB A



2x Ø4
OPTIONAL MOUNTING

4x AREAS COMPONENT FREE
ON TOP SIDE OF PCB A


FULL WIDTH OF PCB ON
EXTENDED WALL VERSION

BORDER AREA COMPONENT FREE
ALL AROUND UNDERSIDE OF PCB A

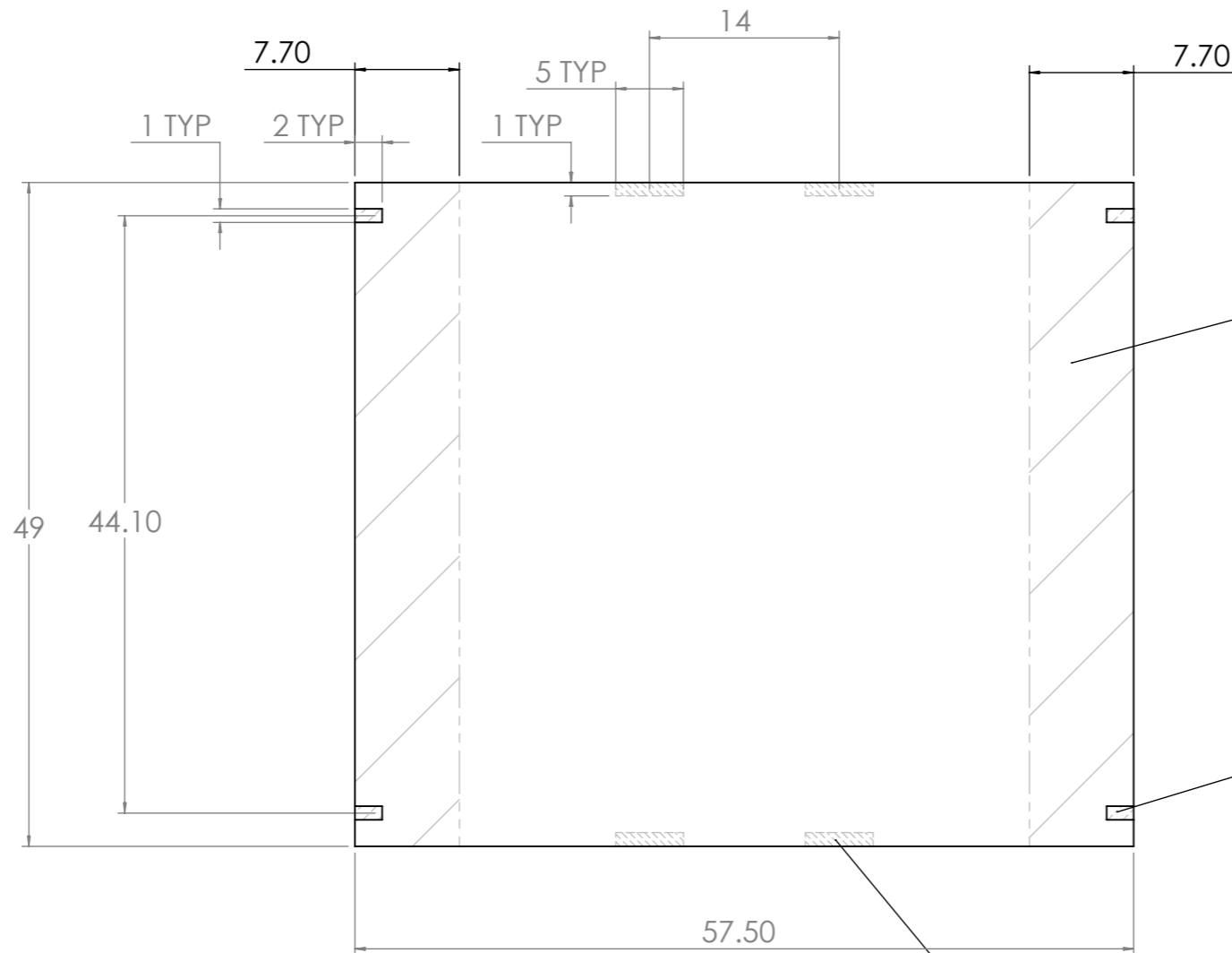
PCB A

DESIGNED TO BE 'TRAPPED' BETWEEN BASE & TOP OF CNMB
ALL AROUND BORDER OF PCB

2x OPTOINAL PCB PILLARS ARE PROVIDED IN CNMB BASE,
OFFSET BELOW UNDERSIDE OF PCB

A	-	-	-	-	-	 CAMDENBOSS CONNECT. ENCLOSE. INNOVATE.	COLOUR:	DEBURR AND BREAK SHARP EDGES	DO NOT SCALE DRAWING	SCALE:	A	
	-	-	-	-	-		FINISH:	TITLE:	GNL ASSY & PCB DRG FOR CNMB SERIES SIZE 3	2:1	SHEET 2 OF 6	
	A	07.01.20	000-732	COMPONENT FREE AREAS ADDED TO PCB DRAWINGS & COMNBINED IN MAIN GA DRAWING	S.HARDINGE		I.PAGANO	DRAWING UNITS: MILLIMETERS	PROJECTION	MATERIAL:		DWG NO.
	O	11.01.13	-	-	J.JACOBS		-	TOLERANCES: +/-0.2	⊕		CNMB-3-2	
	REVISION	DATE	ECR	DESCRIPTION	NAME	CHK'D						

VIEWED FROM TOP OF ENCLOSURE AND PCB B



2 AREAS 3.3mm RESTRICTED COMPONENT HIEGHT

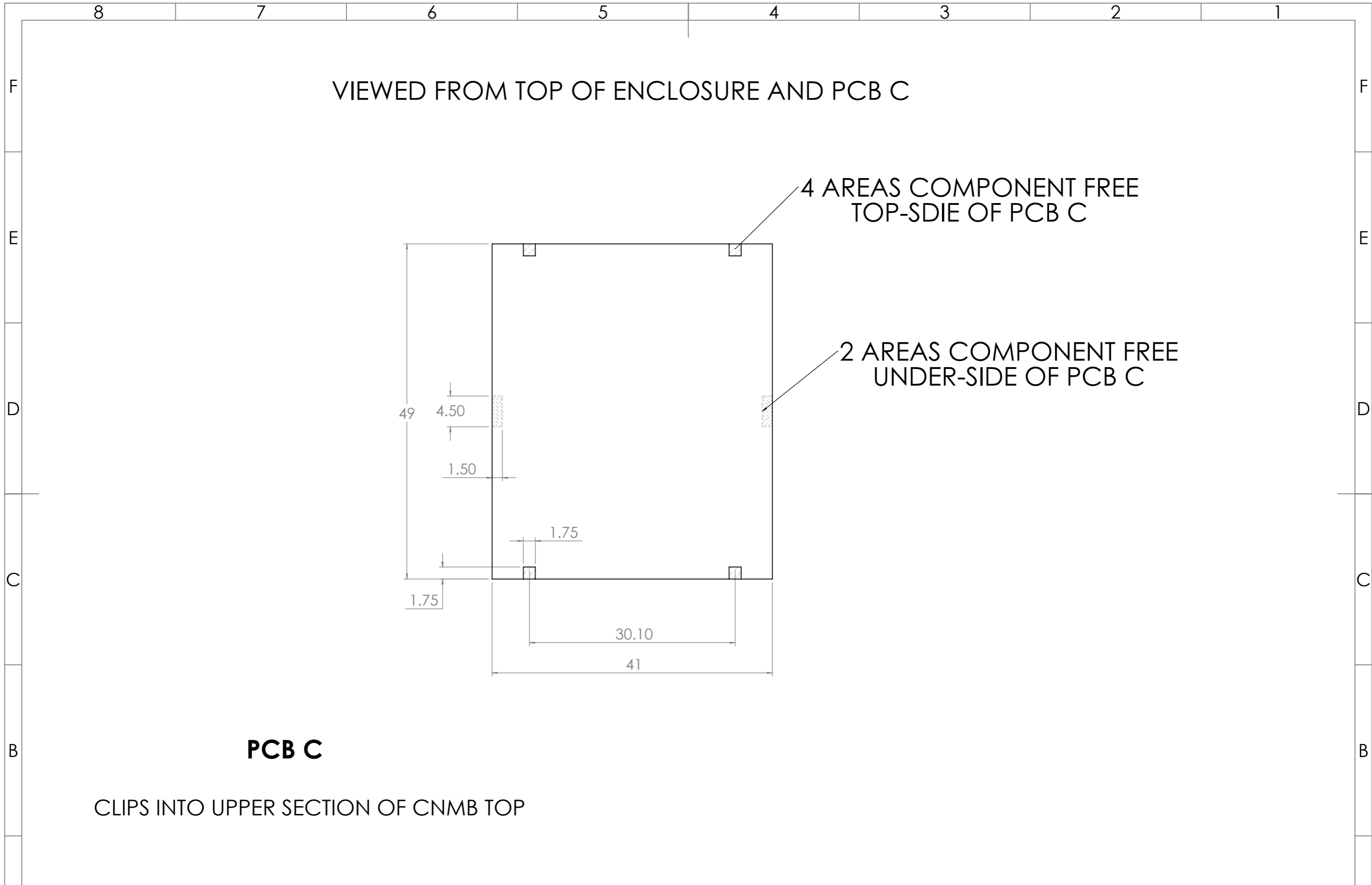
4 AREAS COMPONENT FREE TOP-SIDE OF PCB B

4 AREAS COMPONET FREE UNDER-SIDE OF PCB B

PCB B

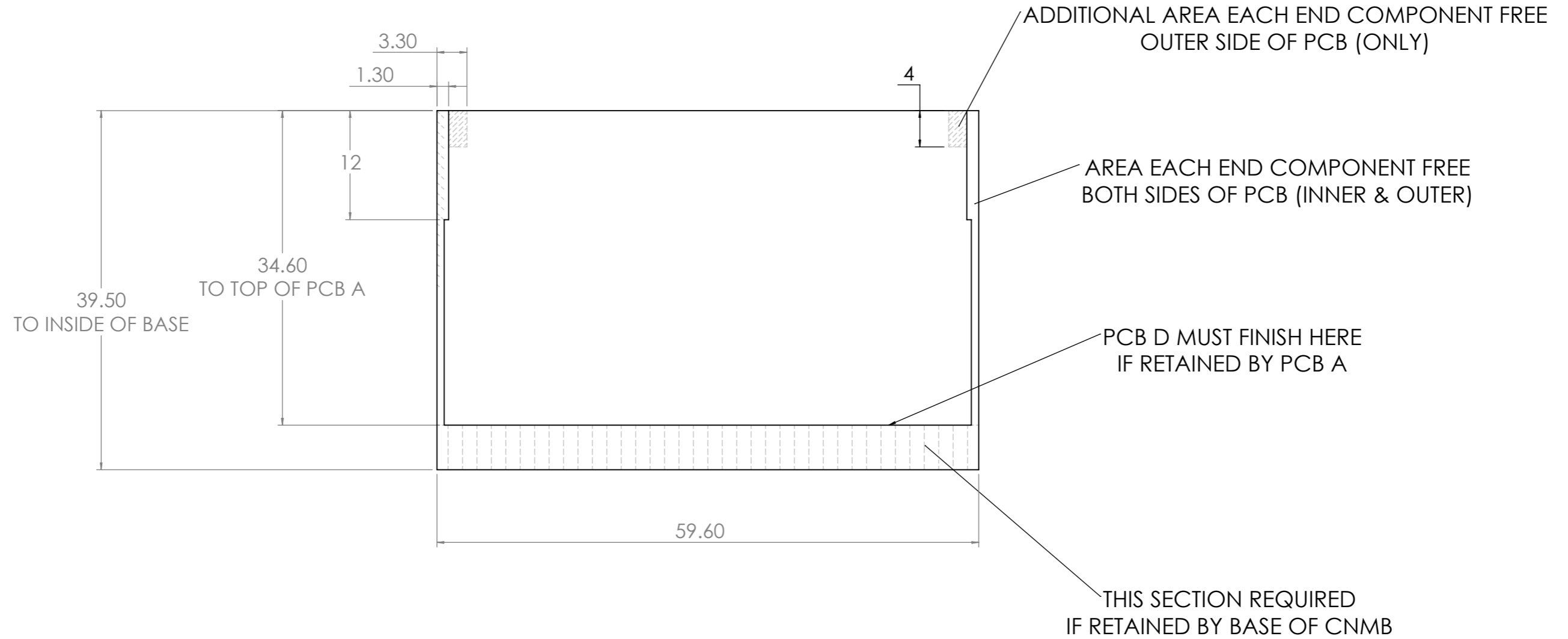
CLIPS INTO MID SECTION OF CNMB TOP

<table border="1"> <tr> <td>REVISION</td> <td>DATE</td> <td>ECR</td> <td>DESCRIPTION</td> <td>NAME</td> <td>CHK'D</td> </tr> <tr> <td>A</td> <td>07.01.20</td> <td>000-732</td> <td>COMPONENT FREE AREAS ADDED TO PCB DRAWINGS & COMNBINED IN MAIN GA DRAWING</td> <td>S.HARDINGE</td> <td>I.PAGANO</td> </tr> <tr> <td>O</td> <td>11.01.13</td> <td>-</td> <td>-</td> <td>J.JACOBS</td> <td>-</td> </tr> </table>					REVISION	DATE	ECR	DESCRIPTION	NAME	CHK'D	A	07.01.20	000-732	COMPONENT FREE AREAS ADDED TO PCB DRAWINGS & COMNBINED IN MAIN GA DRAWING	S.HARDINGE	I.PAGANO	O	11.01.13	-	-	J.JACOBS	-			COLOUR: FINISH: MATERIAL:		DEBURR AND BREAK SHARP EDGES DO NOT SCALE DRAWING TITLE: GNL ASSY & PCB DRG FOR CNMB SERIES SIZE 3 DWG NO. CNMB-3-2		SCALE: 2:3 SHEET 3 OF 6 A3	
REVISION	DATE	ECR	DESCRIPTION	NAME	CHK'D																									
A	07.01.20	000-732	COMPONENT FREE AREAS ADDED TO PCB DRAWINGS & COMNBINED IN MAIN GA DRAWING	S.HARDINGE	I.PAGANO																									
O	11.01.13	-	-	J.JACOBS	-																									
						DRAWING UNITS: MILLIMETERS TOLERANCES: +/-0.2		PROJECTION 																						




A	-	-	-		-	-	CAMDENBOSS <small>CONNECT. ENCLOSE. INNOVATE.</small>	COLOUR:	DEBURR AND BREAK SHARP EDGES	DO NOT SCALE DRAWING	SCALE:	A
-	-	-	-		-	-		FINISH:	TITLE: GNL ASSY & PCB DRG FOR CNMB SERIES SIZE 3		2:3	SHEET 4 OF 6
A	07.01.20	000-732	COMPONENT FREE AREAS ADDED TO PCB DRAWINGS & COMBINED IN MAIN GA DRAWING		S.HARDINGE	I.PAGANO	<small>DRAWING UNITS: MILLIMETERS TOLERANCES: +/-0.2</small>	<small>PROJECTION</small> 	MATERIAL:	DWG NO.	CNMB-3-2	A3
O	11.01.13	-	-	J.JACOBS	-	NAME				CHK'D		
REVISION	DATE	ECR	DESCRIPTION		NAME	CHK'D						

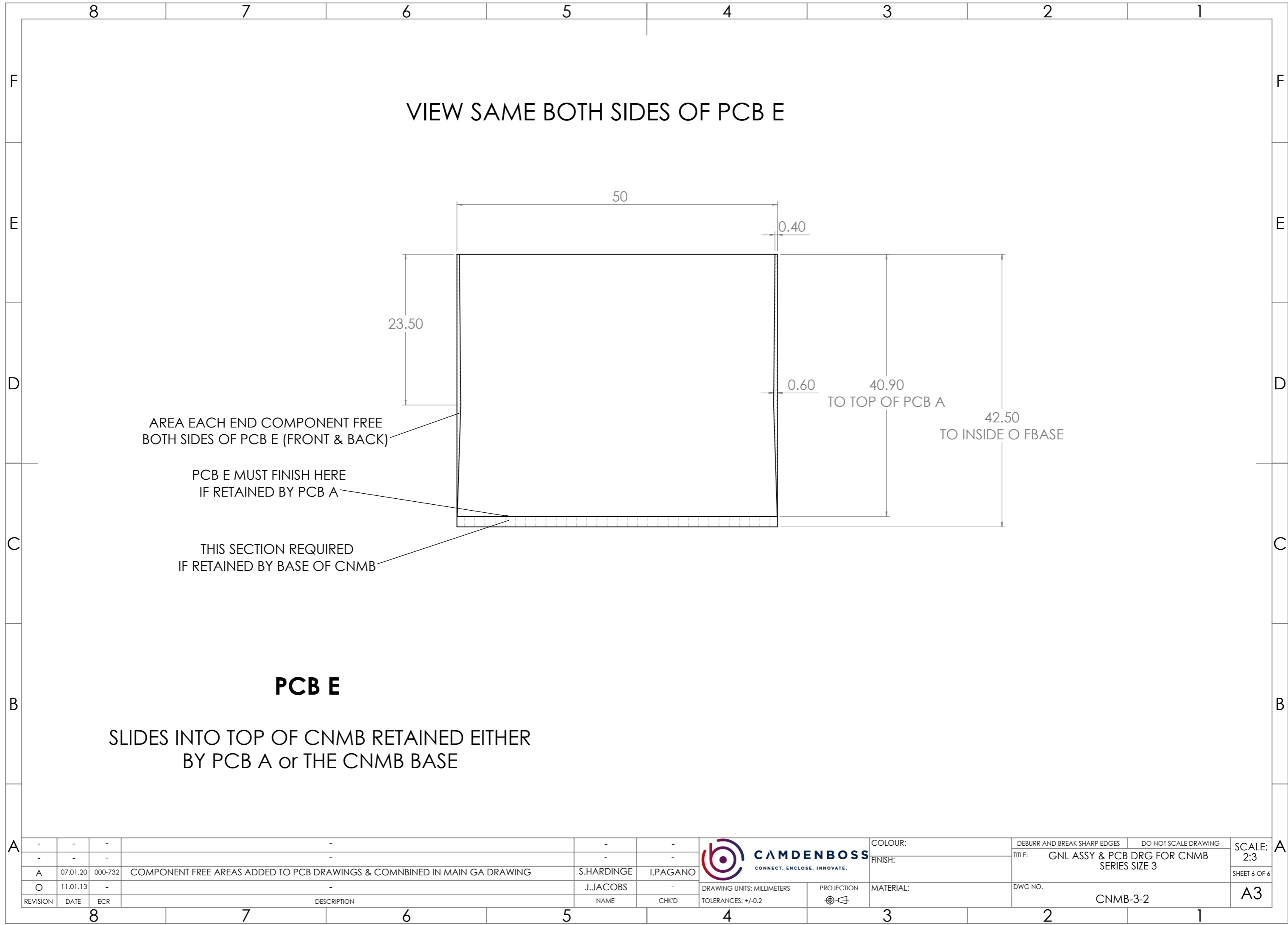
VIEWED FROM INNER SIDE OF PCB D



PCB D

SLIDES INTO TOP OF CNMB RETAINED EITHER BY PCB A or THE CNMB BASE

REVISION	DATE	ECR	DESCRIPTION	NAME	CHK'D	 CAMDENBOSS CONNECT. ENCLOSE. INNOVATE.	COLOUR:	DEBURR AND BREAK SHARP EDGES	DO NOT SCALE DRAWING	SCALE:
-	-	-	-	-	-		FINISH:	TITLE: GNL ASSY & PCB DRG FOR CNMB SERIES SIZE 3		
A	07.01.20	000-732	COMPONENT FREE AREAS ADDED TO PCB DRAWINGS & COMBINED IN MAIN GA DRAWING	S.HARDINGE	I.PAGANO	DRAWING UNITS: MILLIMETERS	PROJECTION	MATERIAL:	DWG NO.	SHEET 5 OF 6
○	11.01.13	-	-	J.JACOBS	-	TOLERANCES: +/-0.2	⊕		CNMB-3-2	A3



REVISION	DATE	ECR	DESCRIPTION	NAME	CHK'D
-	-	-	-	-	-
A	07.01.20	000-732	COMPONENT FREE AREAS ADDED TO PCB DRAWINGS & COMBINED IN MAIN GA DRAWING	S.HARDINGE	I.PAGANO
O	11.01.13	-	-	J.JACOBS	-

CAMDENBOSS
CONNECT. ENCLOSE. INNOVATE.

DRAWING UNITS: MILLIMETERS
TOLERANCES: +/-0.2

PROJECTION

COLOUR:	DEBURR AND BREAK SHARP EDGES	DO NOT SCALE DRAWING	SCALE: 2:3
FINISH:	TITLE: GNL ASSY & PCB DRG FOR CNMB SERIES SIZE 3		SHEET 6 OF 6
MATERIAL:	DWG NO. CNMB-3-2	A3	