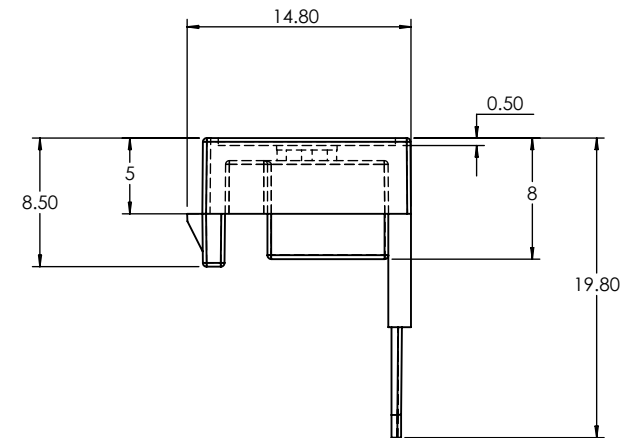




ISO VIEW
2:1



 CAMDENBOSS JAMES CARTER RD, MILDENHALL, SUFFOLK. IP28 7DE TEL: 01638 716101 FAX: 01638 716554 EMAIL: Sales@CamdenBoss.com WEB: www.CamdenBoss.com				UNLESS OTHERWISE SPECIFIED: DIMENSIONS ARE IN MILLIMETERS		GENERAL TOLERANCES +/- 0.2		REVISION. <input type="checkbox"/>		
				FINISH. LIGHT SPARK		TITLE: DIMENSION DRAWING FOR CNMB/3/3TGUSB				
COLOUR. RAL: 7035		MATERIAL. PC UL 94 - V0		DWG NO. CNMB-3-TGUSB		A4				
DRAWN	IAN PAGANO	SIGNED	I.P.	DATE	10/04/17	PROJECTION.		SCALE: 2:1	SHEET 1 OF 1	DO NOT SCALE DRAWING
CHKD	-	-	-	-	-					