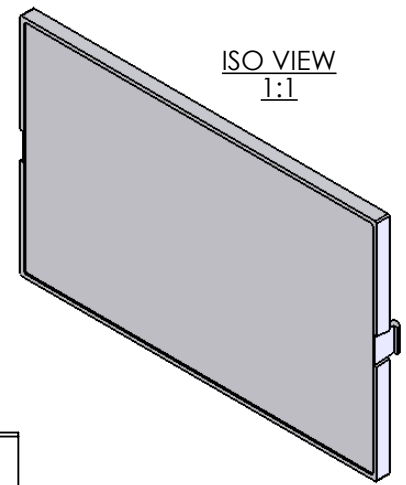
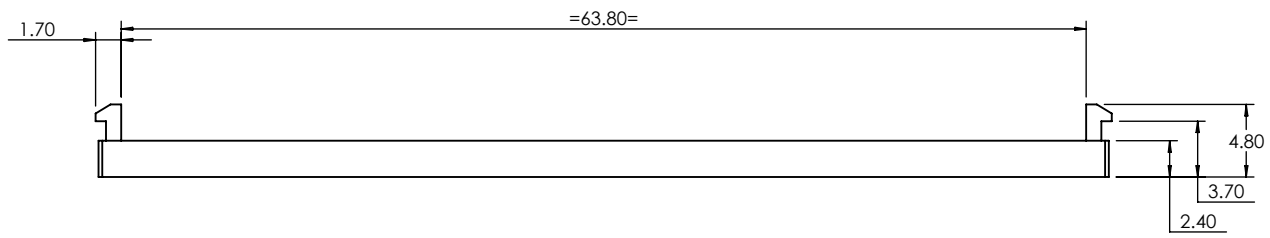


1 2 3 4 5 6

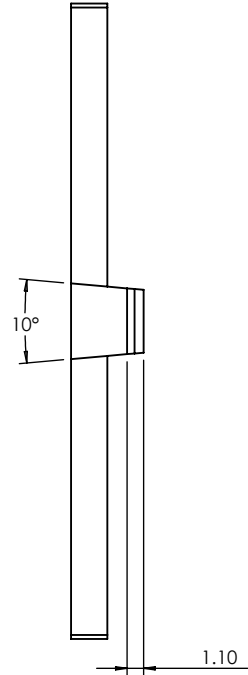
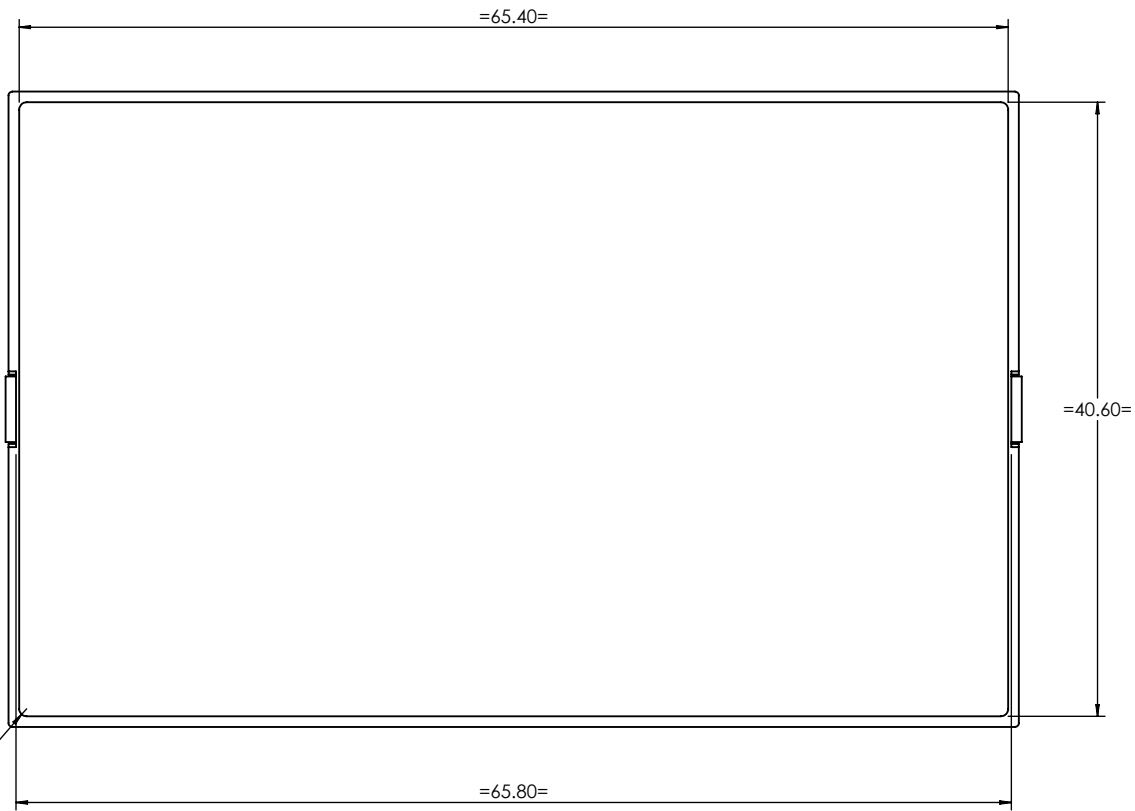
A

A



B

B





C

C

D

D

 <b>CAMDENBOSS</b> JAMES CARTER RD, MILDENHALL, SUFFOLK. IP28 7DE TEL: 01638 716101 FAX: 01638 716554 EMAIL: Sales@CamdenBoss.com WEB: www.CamdenBoss.com				UNLESS OTHERWISE SPECIFIED: DIMENSIONS ARE IN MILLIMETERS		DO NOT SCALE DRAWING		REVISION. <input type="checkbox"/>	
				GENERAL TOLERANCES +/- 0.2		TITLE: <b>DIMENSION DRAWING FOR CNMB /4/PR</b>			
FINISH. GLOSS		MATERIAL. PC UL 94 - HB		DWG NO. <b>CNMB-4-PR</b>		A4			
DRAWN	IAN PAGANO	I.P.	20/06/114	PROJECTION. 		SCALE: 2:1		SHEET 1 OF 1	
CHKD	-	-	-						

1 2 3