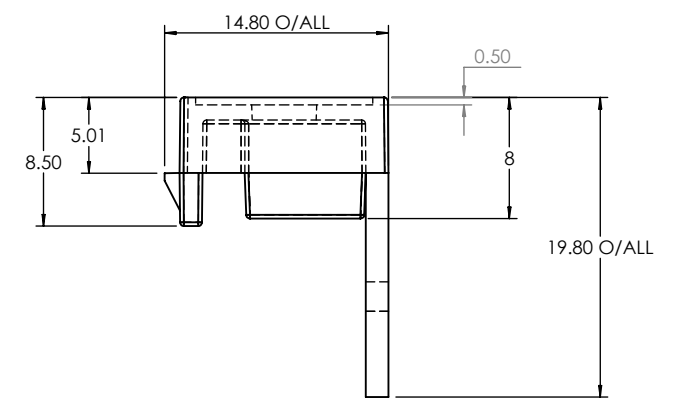
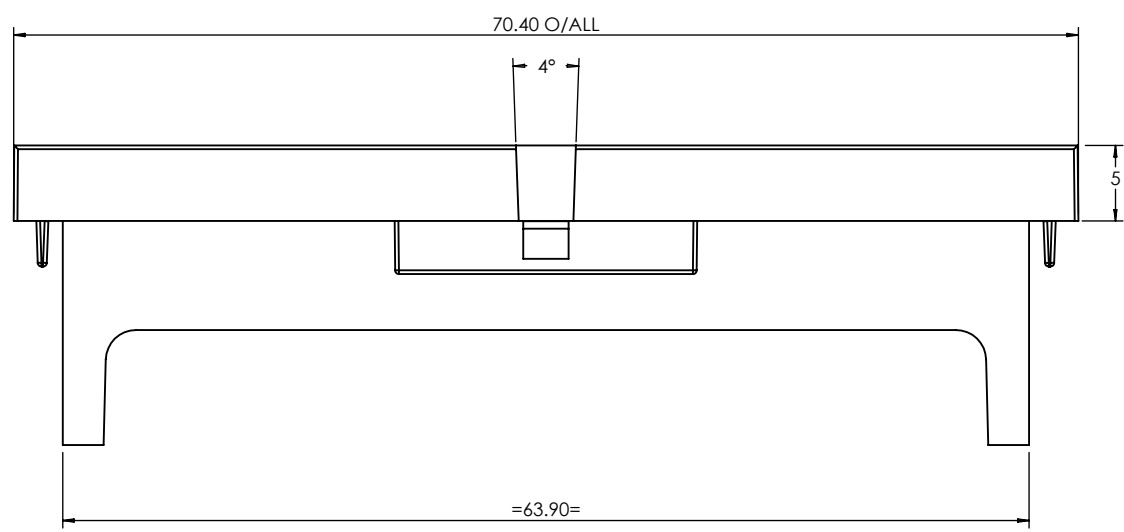




ISO VIEW
3:2



 CAMDENBOSS JAMES CARTER RD, MILDENHALL, SUFFOLK. IP28 7DE TEL: 01638 716101 FAX: 01638 716554 EMAIL: Sales@CamdenBoss.com WEB: www.CamdenBoss.com				UNLESS OTHERWISE SPECIFIED: DIMENSIONS ARE IN MILLIMETERS		DO NOT SCALE DRAWING		REVISION. ○		
				GENERAL TOLERANCES +/- 0.2		TITLE: DIMENSION DRAWING FOR CNMB/4/TG100				
DRAWN IAN PAGANO		SIGNED I.P.		DATE 23/06/14		MATERIAL. PA UL 94 - V0		DWG NO. cnmb-4-TG750		A4
CHKD -		-		-		PROJECTION. 		SCALE: 2:1		SHEET 1 OF 1