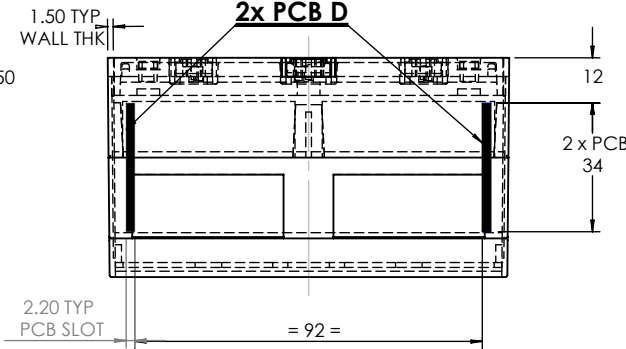
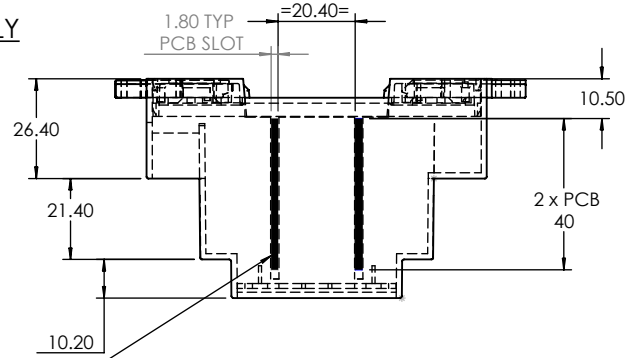
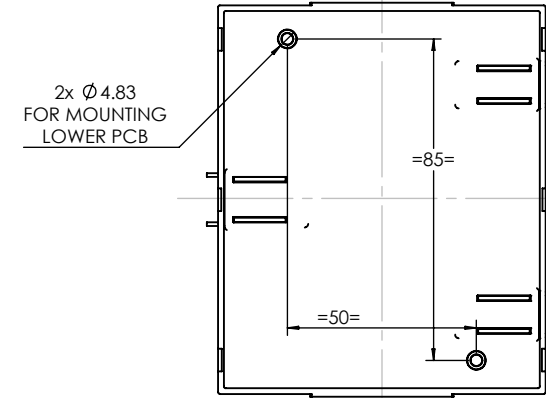


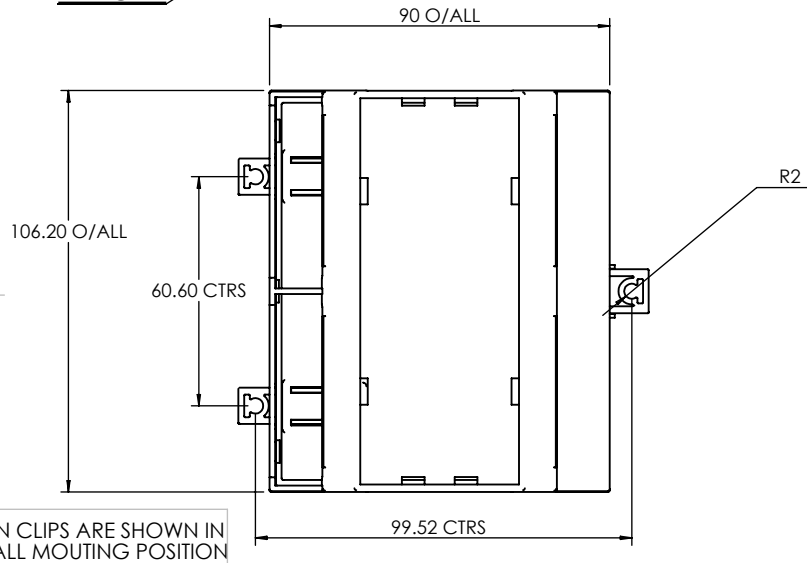
ASSEMBLY



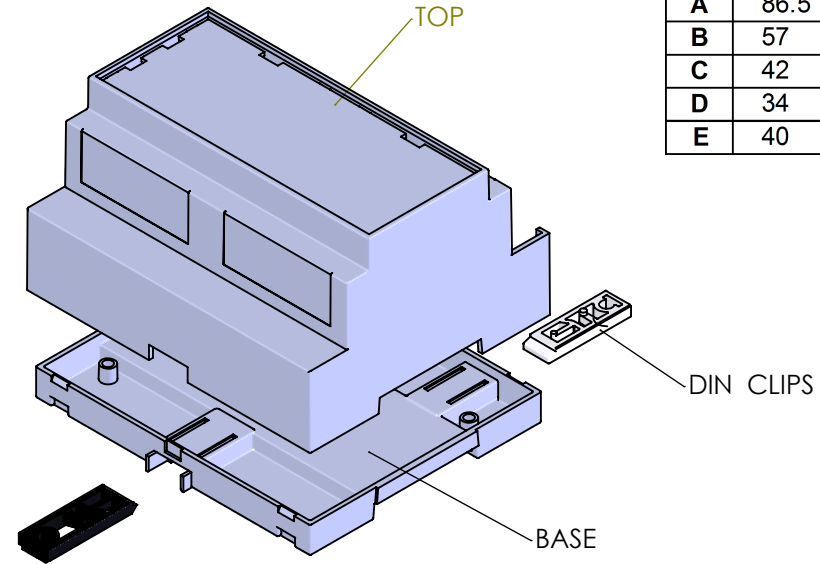
BASE



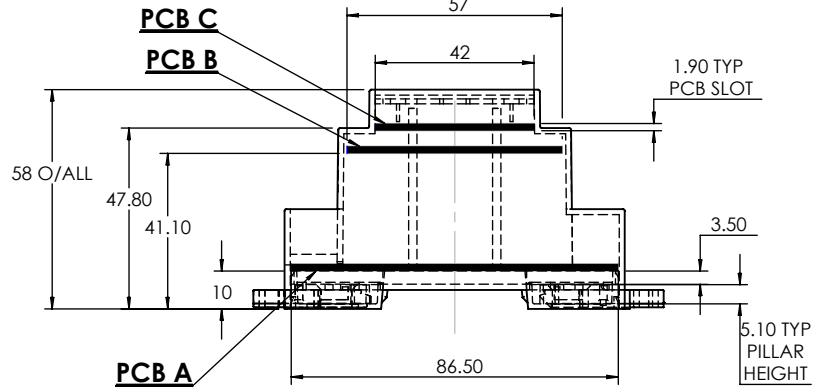
2x PCB E



**ISO VIEW
1:2**



PCB DIMENSIONS (mm)	
A	86.5 x 103
B	57 x 102
C	42 x 102
D	34 x 59.6
E	40 x 103



<p>CAMDENBOSS JAMES CARTER RD, MILDENHALL, SUFFOLK. IP28 7DE TEL: 01638 716101 FAX: 01638 716554 EMAIL: Sales@CamdenBoss.com WEB: www.CamdenBoss.com</p>		UNLESS OTHERWISE SPECIFIED: DIMENSIONS ARE IN MILLIMETERS	DO NOT SCALE DRAWING	REVISION: 0		
		FINISH: SMOOTH	TITLE: GNL ASSY DRG FOR CNMB SERIES			
DRAWN	NAME SUBKHANKULOVA	SIGNED LS	DATE 13/01/10	MATERIAL: UL94-V0 PC	DWG NO. CNMB-6-1ST	A4
CHKD	STUART HARDINGE	SJH	13/01/10	PROJECTION:	SCALE: 1:2	