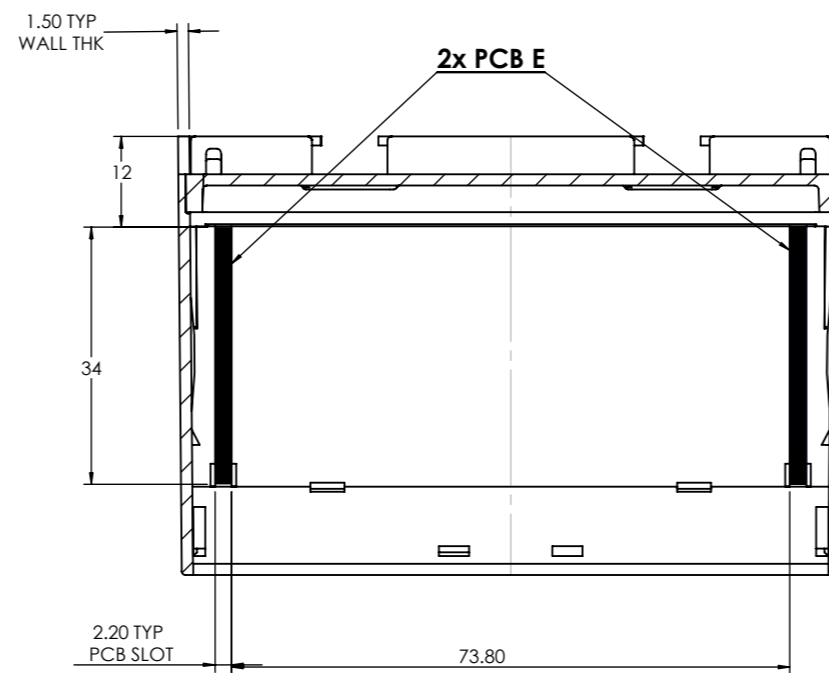
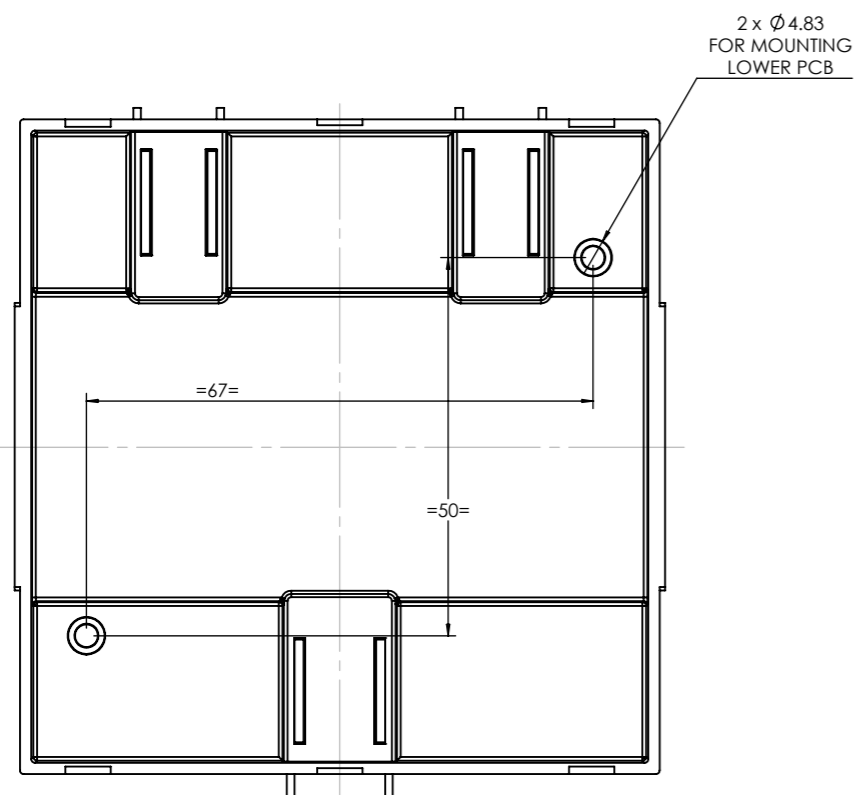


DIN CLIPS ARE SHOWN IN WALL MOUNTING POSITION

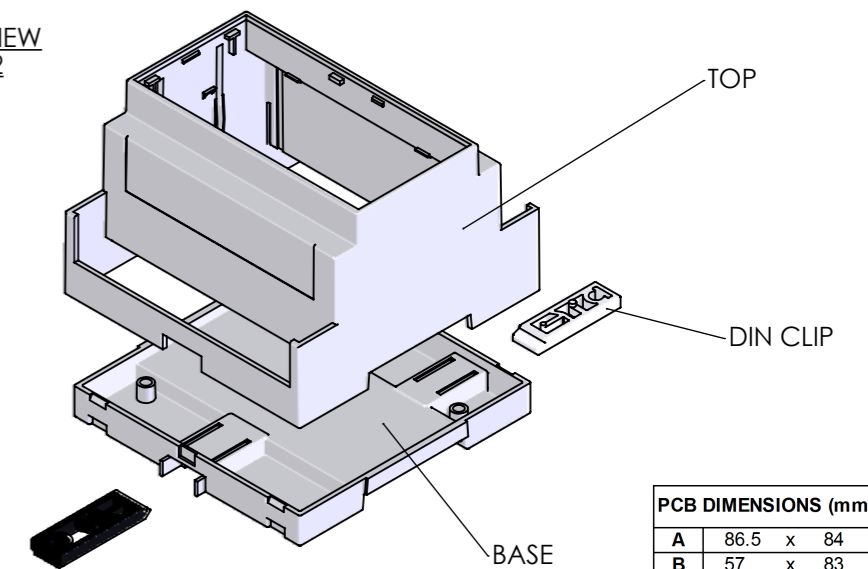
SECTION A-A

BASE



SECTION C-C

ISO VIEW 1:2



PCB DIMENSIONS (mm)	
A	86.5 x 84
B	57 x 83
C	42 x 83
D	34 x 59.69
E	40 x 84

<p>CAMDENBOSS JAMES CARTER RD, MILDENHALL, SUFFOLK, IP28 7DE TEL: 01638 716101 FAX: 01638 716554 EMAIL: Sales@CamdenBoss.com WEB: www.CamdenBoss.com</p>			UNLESS OTHERWISE SPECIFIED: DIMENSIONS ARE IN MILLIMETERS		DO NOT SCALE DRAWING	REVISION: 0	
			FINISH: SMOOTH		TITLE: GNL ASSY DRG FOR CNMB SERIES		
DRAWN: L SUBKHANKULOVA		SIGNATURE: LS		DATE: 18/01/10		MATERIAL: UV94-V0 PC	
CHK'D: STUART HARDINGE		SIGNATURE: SJH		DATE: 18/01/10		PROJECTION:	
DWG NO. CNMB-5W-2						A3	
SCALE 1:1						SHEET 1 OF 1	