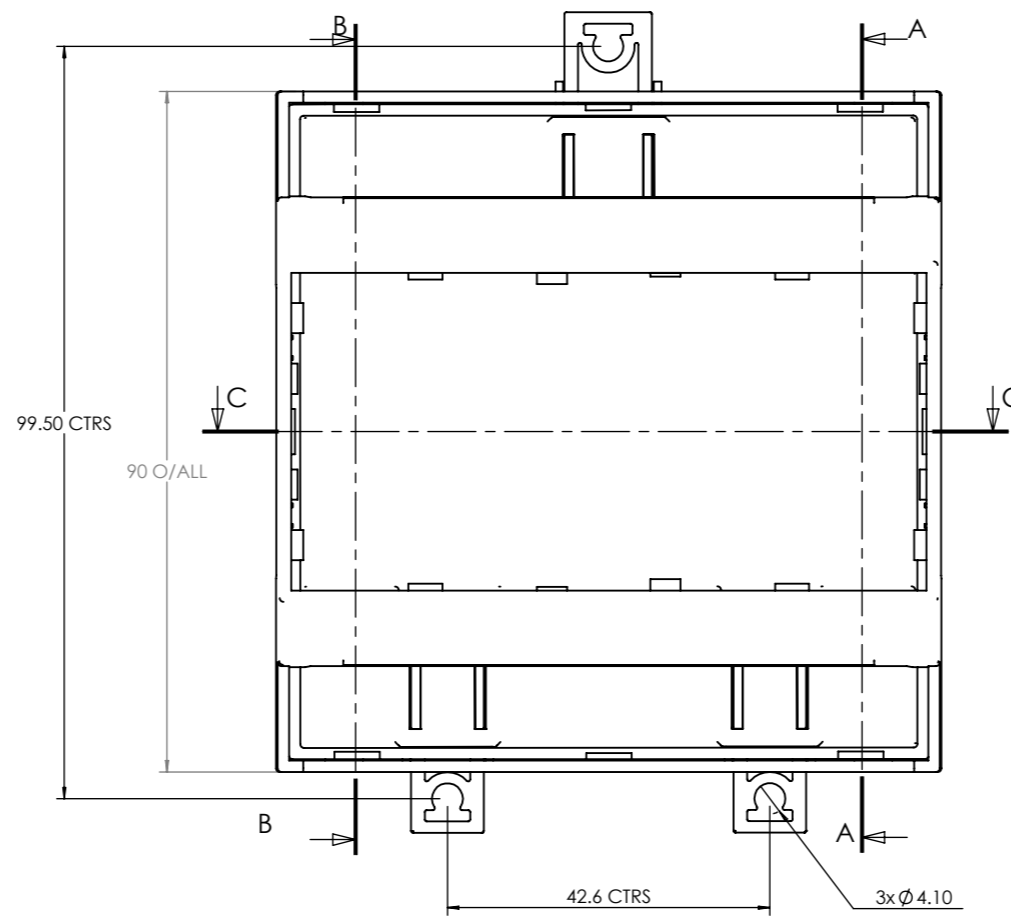
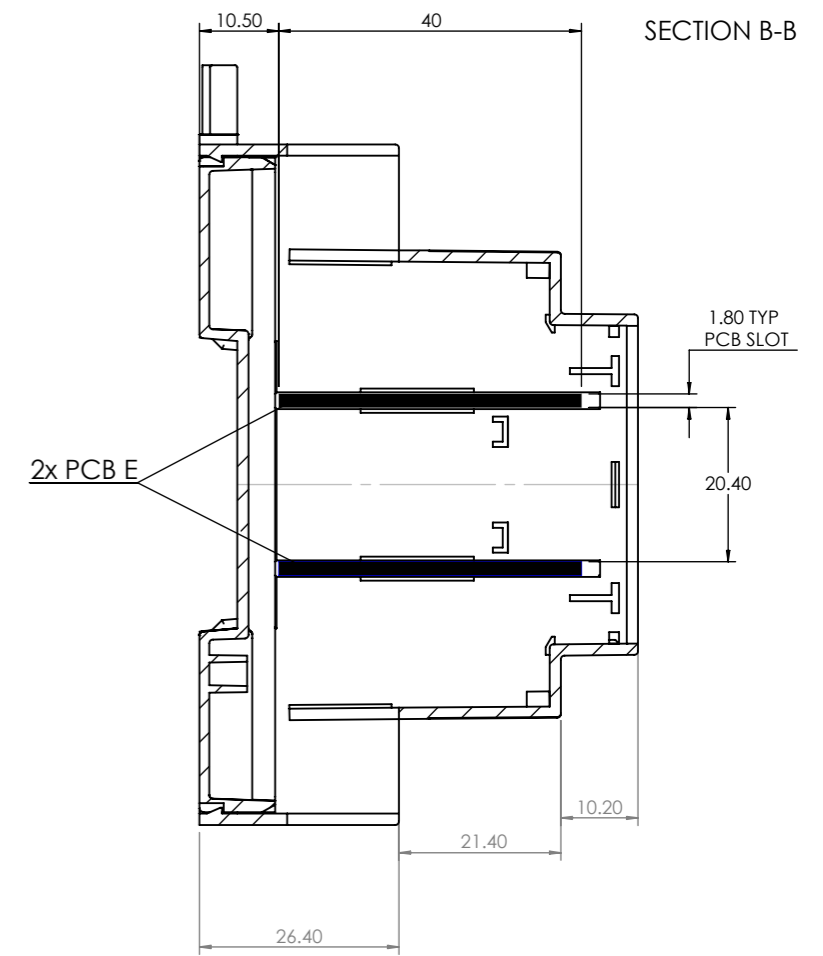


SECTION A-A

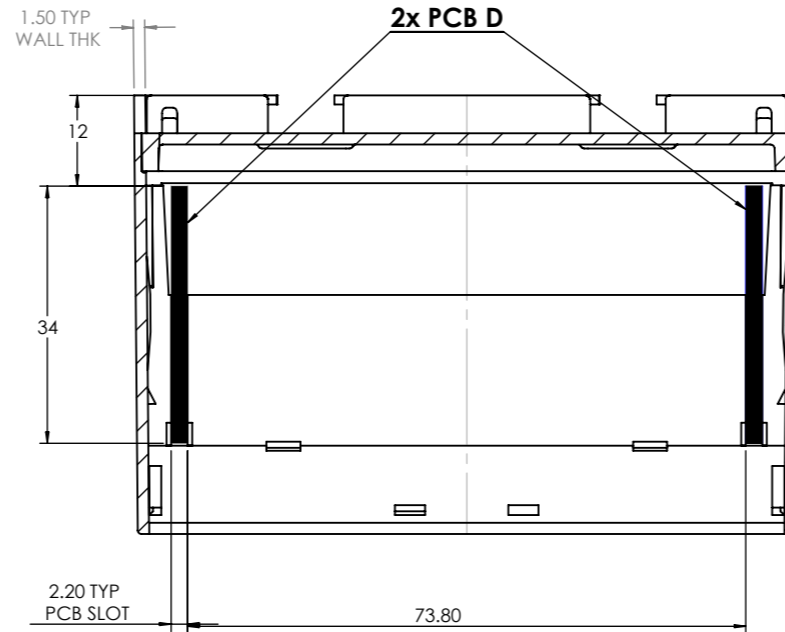
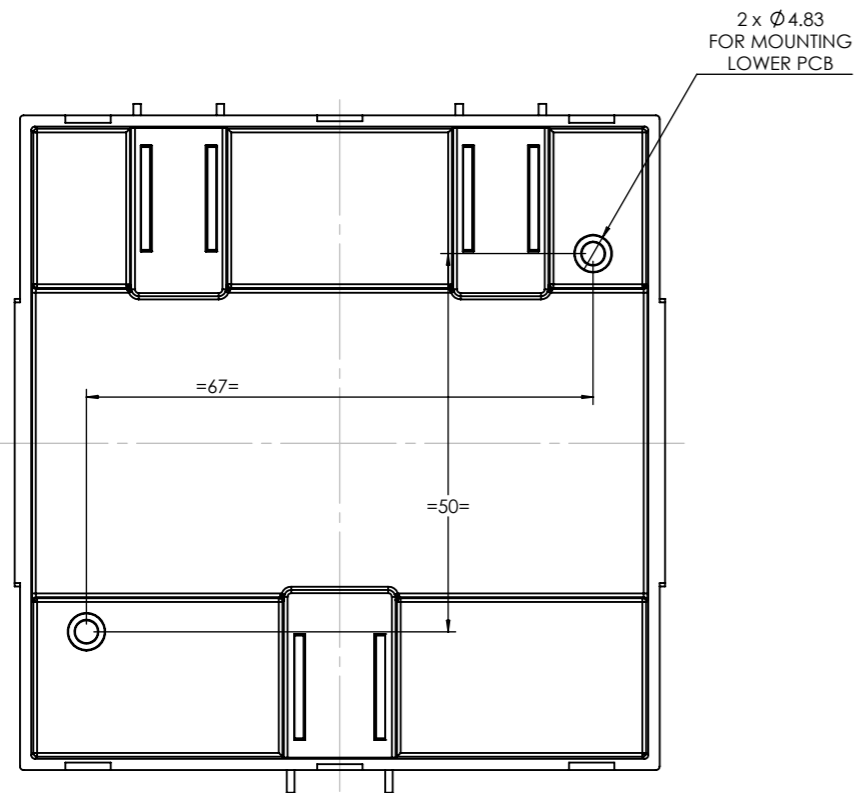


DIN CLIPS ARE SHOWN IN WALL MOUNTING POSITION



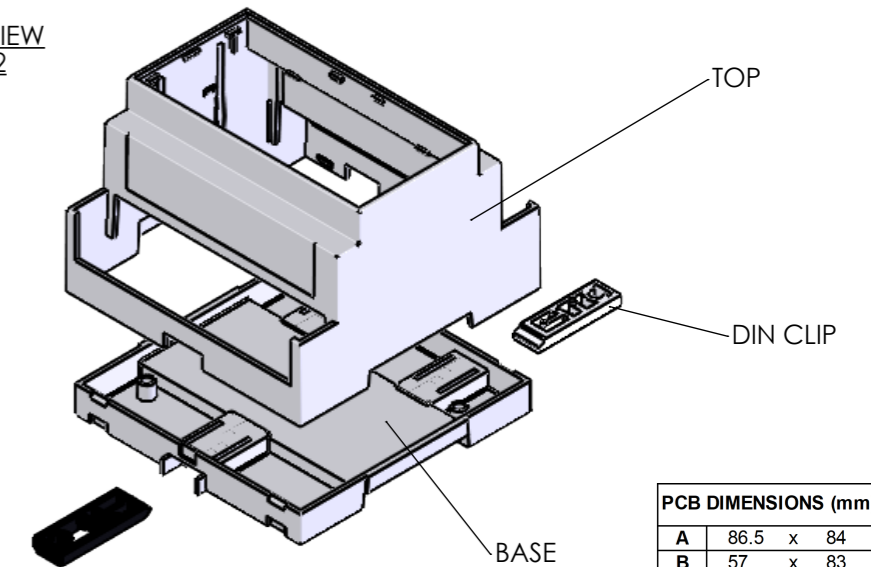
SECTION B-B

BASE



SECTION C-C

ISO VIEW 1:2



PCB DIMENSIONS (mm)		
A	86.5	x 84
B	57	x 83
C	42	x 83
D	34	x 59.69
E	40	x 84

<p><b>CAMDENBOSS</b>          JAMES CARTER RD, MILDENHALL, SUFFOLK, IP28 7DE          TEL: 01638 716101 FAX: 01638 716554          EMAIL: Sales@CamdenBoss.com          WEB: www.CamdenBoss.com</p>			UNLESS OTHERWISE SPECIFIED: DIMENSIONS ARE IN MILLIMETERS	DO NOT SCALE DRAWING	REVISION: 0
			FINISH: <b>SMOOTH</b>	TITLE: <b>GNL ASSY DRG FOR CNMB SERIES</b>	
DRAWN: L SUBKHANKULOVA	SIGNATURE: LS	DATE: 18/01/10	MATERIAL: <b>UV94-V0 PC</b>	DWG NO.:	<b>CNMB-5-2</b>
CHK'D: STUART HARDINGE	SIGNATURE: SJH	DATE: 18/01/10	PROJECTION: 	SCALE 1:1	A3
				SHEET 1 OF 1	